



INTERPUMP

FLUID SOLUTIONS 

Powered by I.M.M. Hydraulics

One-Piece fittings

2018

One-Piece fittings

Raccordi

Braided hose No-Skive

Spiral hose No-Skive

We have also available the following catalogues

Abbiamo disponibili anche i seguenti cataloghi

Carbon Steel fittings

Raccordi

Hydraulic Hoses and Accessories

Tubo flessibile e accessori

Stainless Steel fittings

Raccordi Inox

BRAIDED HOSE
NO-SKIVE

in

	<p>0370G</p> <p>NPTF Male 60° Cone</p> <p>8</p>	<p>037GG</p> <p>NPTF Male Parallel 60° Cone Rotating</p> <p>9</p>	<p>N051G</p> <p>NPSM Female 60° Cone Rolled Nut</p> <p>9</p>	
<p>0850G</p> <p>JIC Male 74° Cone</p> <p>10</p>	<p>0911G</p> <p>JIC Female 74° Cone Rolled Nut</p> <p>11</p>	<p>0910G</p> <p>JIC Female 74° Cone Thrust Wire Nut</p> <p>12</p>	<p>1001G</p> <p>JIC 90° Swept Elbow 74° Cone Rolled Nut</p> <p>12</p>	<p>1000G</p> <p>JIC 45° Swept Elbow 74° Cone Slipe on nut</p> <p>13</p>
<p>0951G</p> <p>JIC 90° Swept Elbow 74° Cone Rolled Nut</p> <p>13</p>	<p>0950G</p> <p>JIC 90° Swept Elbow 74° Cone Thrust Wire Nut</p> <p>14</p>	<p>2971G</p> <p>JIC 90° Compact Elbow 74° Cone Crimped Nut</p> <p>14</p>		<p>S350G</p> <p>ORFS Male</p> <p>15</p>
<p>S05TG</p> <p>ORFS Female Back Hexagon</p> <p>15</p>	<p>S250G</p> <p>ORFS 45° Swept Elbow</p> <p>16</p>	<p>S150G</p> <p>ORFS 90° Swept Elbow</p> <p>17</p>		<p>0385G</p> <p>SAE Male O'R Flat Seat</p> <p>18</p>
<p>0390G</p> <p>Swivel Male O'Ring</p> <p>18</p>	<p>0395G</p> <p>90° Swivel Male O'ring</p> <p>19</p>		<p>IF00G</p> <p>Straight Male Inverted Flare Swivel</p> <p>19</p>	<p>IF45G</p> <p>45° Male Inverted Flare Swivel</p> <p>20</p>

IF90G



90° Male Inverted Flare Swivel

20



0930G



JIS Female 60° Cone (Toyota)

21

0980G



90° JIS Swept Elbow (Toyota) - welded

21



0940G



JIS Female 60° Cone (Komatsu)

22

1040G



45° JIS Swept Elbow (Komatsu) Welded

22

0990G



90° JIS Swept Elbow (Komatsu) Welded

23



K05BG



Kobelco Male

23



0360G



BSP Taper Male 60° Cone

24

0350G



BSP Male Parallel 60° Cone

25

0051G



BSP Female 60° Cone Rolled Nut

26

0050G



BSP Female 60° Cone Thrust wire Nut

26

0251G



BSP 45° Swept Elbow 60° Cone Rolled nut

27

0250G



BSP 45° Swept Elbow 60° Cone Thrust Wire Nut

27

0151G



BSP 90° Swept elbow 60° Cone Rolled Nut

28

0150G



BSP 90° Swept Elbow 60° Cone Thrust Wire

28

0041G



BSP O'Ring Female 60° Cone Rolled Nut

29

0241G



BSP O'Ring 45° Swept Elbow 60° Cone Rolled nut

29

0141G



BSP O'Ring 90° Swept elbow 60° Cone Rolled Nut

30

2321G



BSP 90° Compact Elbow 60° Cone Rolled nut

30

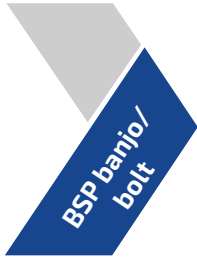























0060G



BSP Female Flat Seal

31

	<p>1400G</p>  <p>BSP Banjo</p> <p>32</p>	<p>1600-00</p>  <p>BSP perfored bolt</p> <p>33</p>	<p>1600</p>  <p>Double BSP perfored bolt</p> <p>33</p>	
<p>FK50G</p>  <p>K' Female</p> <p>34</p>		<p>0550G</p>  <p>Metric Standpipe</p> <p>35</p>	<p>0750G</p>  <p>45° Metric Standpipe</p> <p>36</p>	<p>0750G</p>  <p>45° Metric Standpipe (Welded)</p> <p>37</p>
<p>0650G</p>  <p>90° Metric Standpipe</p> <p>38</p>	<p>0650G</p>  <p>90° Metric Standpipe (welded)</p> <p>39</p>		<p>1350G</p>  <p>Metric Banjo</p> <p>40</p>	<p>1650</p>  <p>Metric perfored bolt</p> <p>41</p>
	<p>0500G</p>  <p>Metric Male 24° Seat Light</p> <p>42</p>	<p>0085G</p>  <p>Metric Female 24° Seat Light</p> <p>43</p>	<p>0085G</p>  <p>Metric Female 24° Seat Light (rolled nut)</p> <p>43</p>	<p>0285G</p>  <p>45° Metric Swept Elbow 24° Seat Light</p> <p>44</p>
<p>0285G</p>  <p>45° Metric Swept Elbow 24° Seat Light (rolled nut)</p> <p>44</p>	<p>0185G</p>  <p>90° Metric Swept Elbow 24° Seat Light</p> <p>45</p>	<p>0185G</p>  <p>90° Metric Swept Elbow 24° Seat Light (rolled nut)</p> <p>45</p>		<p>0450G</p>  <p>Metric Male 24° Seat Heavy</p> <p>46</p>

0084G



Metric Female 24°
Seat Heavy

47

0284G



45° Metric Swept
Elbow 24° Seat Heavy

48

0184G



90° Metric Swept
Elbow 24° Seat Heavy

49



1260G



Straight SAE Flange
3000 PSI

50

1160G



45° SAE Flange 3000
PSI

50

1060G



90° SAE Flange 3000
PSI

51

1060G



22.5°/30°/60°/67.5°
SAE Flange 3000 PSI

52



D050G

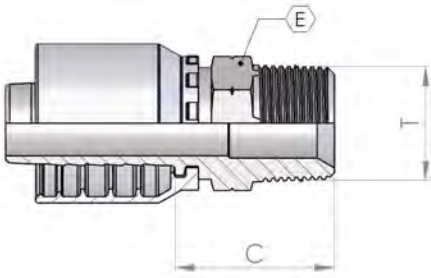


Hose Junction

53

0370G

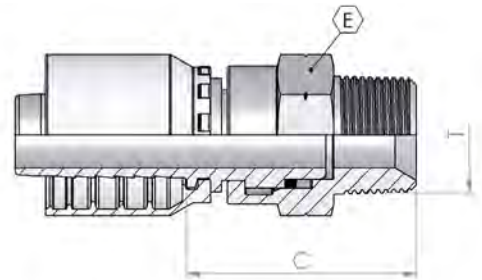
NPTF Male 60° Cone



Part number	Hose I.D.		Dimension			
	in	mm	dash size	thread	hex	cut-off
				T	E	C
0370G03-02	3/16	4.8	3	1/8-27	12	22
0370G03-04	3/16	4.8	3	1/4-18	15	27
0370G04-02	1/4	6.4	4	1/8-27	12	22
0370G04-04	1/4	6.4	4	1/4-18	15	28
0370G04-06	1/4	6.4	4	3/8-18	19	28
0370G05-04	5/16	7.9	5	1/4-18	15	28
0370G05-06	5/16	7.9	5	3/8-18	19	28
0370G05-08	5/16	7.9	5	1/2-14	22	34
0370G06-04	3/8	9.5	6	1/4-18	17	28
0370G06-06	3/8	9.5	6	3/8-18	19	28
0370G06-08	3/8	9.5	6	1/2-14	22	34
0370G08-06	1/2	12.7	8	3/8-18	19	29
0370G08-08	1/2	12.7	8	1/2-14	22	35
0370G08-12	1/2	12.7	8	3/4-14	27	36
0370G10-08	5/8	15.9	10	1/2-14	24	35
0370G10-12	5/8	15.9	10	3/4-14	27	36
0370G12-08	3/4	19.0	12	1/2-14	24	36
0370G12-12	3/4	19.0	12	3/4-14	27	37
0370G12-16	3/4	19.0	12	1-11.1/2	36	43
0370G16-16	1	25.4	16	1-11.1/2	36	44
0370G16-20	1	25.4	16	1.1/4-11.1/2	46	46
0370G20-16	1.1/4	31.8	20	1-11.1/2	41	45
0370G20-20	1.1/4	31.8	20	1.1/4-11.1/2	46	47
0370G24-24	1.1/2	38.1	24	1.1/2-11.1/2	50	49
0370G32-32	2	50.8	32	2-11.1/2	65	55

037GG

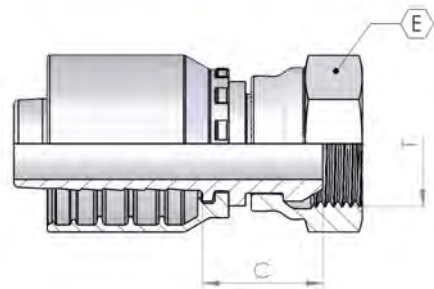
NPTF Male Parallel 60° Cone - Rotating



Part number	Hose I.D.		Dimension			
	in	mm	dash size	thread	hex	cut-off
				T	E	C
037GG04-04	1/4	6.4	4	1/4-18	19	39
037GG06-06	3/8	9.5	6	3/8-18	22	43
037GG08-08	1/2	12.7	8	1/2-14	27	49
037GG12-12	3/4	19.0	12	3/4-14	32	52

N051G

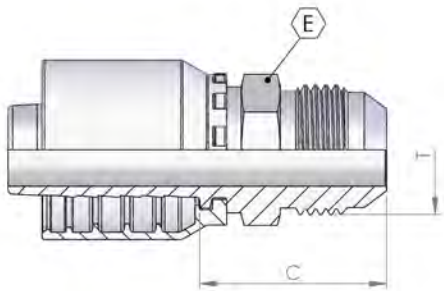
NPSM Female 60° Cone Rolled Nut



Part number	Hose I.D.		Dimension			
	in	mm	dash size	thread	hex	cut-off
				T	E	C
N051G03-04	3/16	4.8	3	1/4-18	19	17
N051G04-04	1/4	6.4	4	1/4-18	19	17
N051G06-06	3/8	9.5	6	3/8-18	22	19
N051G08-08	1/2	12.7	8	1/2-14	27	23

0850G

JIC Male 74° Cone

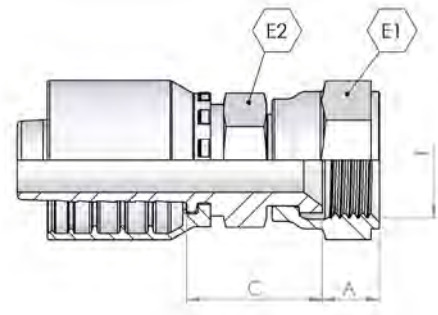


* SAE 45°

Part number	Hose I.D.		Dimension			
	in	mm	dash size	thread	hex	cut-off
				T	E	C
0850G03-04	3/16	4.8	3	7/16-20	12	26
0850G04-04	1/4	6.4	4	7/16-20	12	27
0850G04-05	1/4	6.4	4	1/2-20	14	27
0850G04-06	1/4	6.4	4	9/16-18	15	27
0850G05-05	5/16	7.9	5	1/2-20	14	27
0850G05-06	5/16	7.9	5	9/16-18	15	27
0850G05-08	5/16	7.9	5	3/4-16	19	30
0850G06-06	3/8	9.5	6	9/16-18	15	27
0850G06-07	3/8	9.5	6	5/8-18	17	30
0850G06-08	3/8	9.5	6	3/4-16	19	30
0850G06-10	3/8	9.5	6	7/8-14	24	34
0850G08-06	1/2	12.7	8	9/16-18	19	28
0850G08-08	1/2	12.7	8	3/4-16	19	31
0850G08-10	1/2	12.7	8	7/8-14	24	35
0850G08-12	1/2	12.7	8	1.1/16-12	27	37
0850G10-10	5/8	15.9	10	7/8-14	24	35
0850G10-12	5/8	15.9	10	1.1/16-12	27	37
0850G12-10	3/4	19.0	12	7/8-14	24	36
0850G12-12	3/4	19.0	12	1.1/16-12	27	38
0850G12-14	3/4	19.0	12	1.3/16-12	32	41
0850G12-16	3/4	19.0	12	1.5/16-12	34	42
0850G12-20	3/4	19.0	12	1.5/8-12	42	45
0850G16-12	1	25.4	16	1.1/16-12	27	39
0850G16-14	1	25.4	16	1.3/16-12	32	42
0850G16-16	1	25.4	16	1.5/16-12	34	43
0850G16-20	1	25.4	16	1.5/8-12	42	46
0850G20-20	1.1/4	31.8	20	1.5/8-12	42	47
0850G20-24	1.1/4	31.8	20	1.7/8-12	50	52
0850G24-24	1.1/2	38.1	24	1.7/8-12	50	52
0850G32-32	2	50.8	32	2.1/2-12	65	62

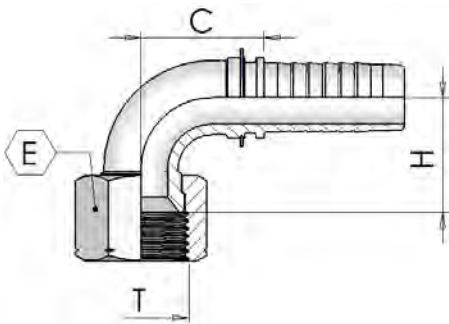
0911G

JIC Female 74° Cone - Rolled Nut



Part number	Hose I.D.		Dimension				
	in	mm	dash size	thread	hex	cut-off	
				T	E	C	A
0911G03-04	3/16	4.8	3	7/16-20	15	14	8.5
0911G03-05	3/16	4.8	3	1/2-20	17	14	9.5
0911G04-04	1/4	6.4	4	7/16-20	15	14	8.5
0911G04-05	1/4	6.4	4	1/2-20	17	15	9.5
0911G04-06	1/4	6.4	4	9/16-18	19	16	9
*SAE 45° 0911G04-07	1/4	6.4	4	5/8-18	22	17	11
0911G05-05	5/16	7.9	5	1/2-20	17	17	9.5
0911G05-06	5/16	7.9	5	9/16-18	19	16	9
*SAE 45° 0911G05-07	5/16	7.9	5	5/8-18	22	17	11
0911G05-08	5/16	7.9	5	3/4-16	24	17	10.5
0911G06-04	3/8	9.5	6	7/16-20	15	15	9
0911G06-05	3/8	9.5	6	1/2-20	17	15	9.5
0911G06-06	3/8	9.5	6	9/16-18	19	16	9
*SAE 45° 0911G06-07	3/8	9.5	6	5/8-18	22	16	11
0911G06-08	3/8	9.5	6	3/4-16	24	17	10.5
0911G06-10	3/8	9.5	6	7/8-14	27	21	13
0911G08-08	1/2	12.7	8	3/4-16	24	18	10.5
0911G08-10	1/2	12.7	8	7/8-14	27	19	13
0911G08-12	1/2	12.7	8	1.1/16-12	32	24	13.5
0911G10-10	5/8	15.9	10	7/8-14	27	19	13
0911G10-12	5/8	15.9	10	1.1/16-12	32	21	13.5
0911G12-10	3/4	19.0	12	7/8-14	27	20	13
0911G12-12	3/4	19.0	12	1.1/16-12	32	22	13.5
0911G12-14	3/4	19.0	12	1.3/16-12	36	23	14
0911G12-16	3/4	19.0	12	1.5/16-12	38	23	15.5
0911G16-12	1	25.4	16	1.1/16-12	32	23	13.5
0911G16-16	1	25.4	16	1.5/16-12	38	24	15.5

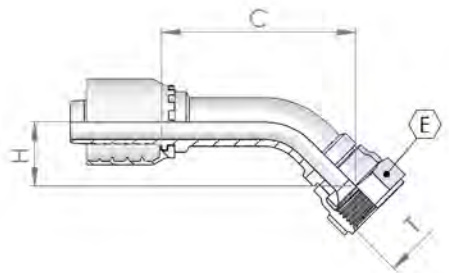
0910G



JIC Female 74° Cone - Thrust Wire Nut

Part number	Hose I.D.		Dimension					
	in	mm	dash size	thread	hex		cut-off	
				T	E1	E2	C	A
0910G20-20	1.1/4	31.8	20	1.5/8"-12	50	46	39	16
0910G24-24	1.1/2	38.1	24	1.7/8"-12	55	50	41	18
0910G32-32	2	50.8	32	2.1/2"-12	70	65	61	19

1001G

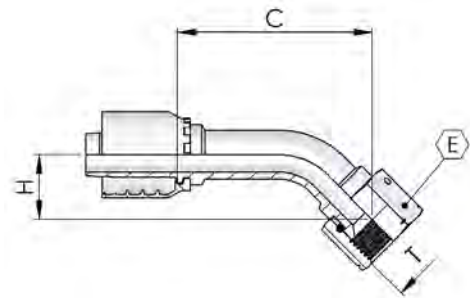


JIC 90° Swept Elbow 74° Cone - Rolled Nut

Part number	Hose I.D.		Dimension					
	in	mm	dash size	thread	hex	cut-off	Drop	
				T	E	C	H	
1001G03-04	3/16	4.8	3	7/16-20	15	33	15	
1001G04-04	1/4	6.4	4	7/16-20	15	38	13	
1001G04-05	1/4	6.4	4	1/2-20	17	40	14	
1001G04-06	1/4	6.4	4	9/16-18	19	47	18	
1001G05-05	5/16	7.9	5	1/2-20	17	16	17	
1001G05-06	5/16	7.9	5	9/16-18	19	47	18	
1001G06-05	3/8	9.5	6	1/2-20	17	51	17	
1001G06-06	3/8	9.5	6	9/16-18	19	51	17	
*SAE 45°	1001G06-07	3/8	9.5	6	5/8-18	22	51	17
	1001G06-08	3/8	9.5	6	3/4-16	24	52	19
	1001G06-10	3/8	9.5	6	7/8-14	27	54	21
	1001G08-08	1/2	12.7	8	3/4-16	24	62	22
	1001G08-10	1/2	12.7	8	7/8-14	27	64	23
	1001G08-12	1/2	12.7	8	1.1/16-12	32	68	25
	1001G10-10	5/8	15.9	10	7/8-14	27	68	24
	1001G10-12	5/8	15.9	10	1.1/16-12	32	70	25
WELDED	1001G12-10	3/4	19	12	7/8-14	27	83	27
	1001G12-12	3/4	19	12	1.1/16-12	32	84	28
	1001G12-16	3/4	19	12	1.5/16-12	38	88	30
	1001G16-16	1	25.4	16	1.5/16-12	38	104	33

1000G

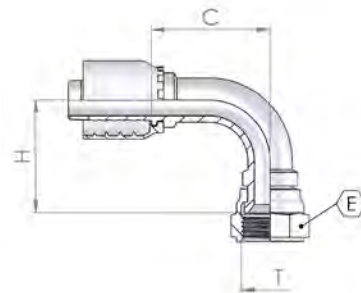
JIC 45° Swept Elbow 74° Cone - Slip on nut



Part number	Hose I.D.		Dimension				
	in	mm	dash size	thread	hex	cut-off	Drop
				T	E	C	H
1000G20-20	1.1/4	31.8	20	1.5/8"-12	50	102	40
1000G24-24	1.1/2	38.1	24	1.7/8"-12	55	119	49
1000G32-32	2	50.8	32	2.1/2"-12	70	142	65

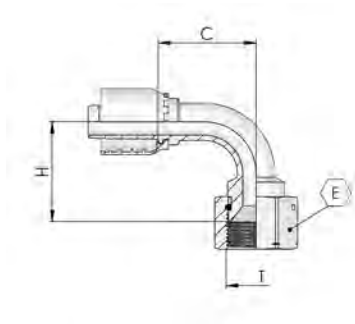
0951G

JIC 90° Swept Elbow 74° Cone - Rolled Nut



Part number	Hose I.D.		Dimension				
	in	mm	dash size	thread	hex	cut-off	Drop
				T	E	C	H
0951G03-04	3/16	4.8	3	7/16-20	15	22	22
0951G03-05	3/16	4.8	3	1/2-20	17	22	22
0951G04-04	1/4	6.4	4	7/16-20	15	25	24
0951G04-05	1/4	6.4	4	1/2-20	17	25	25
0951G04-06	1/4	6.4	4	9/16-18	19	25	27
0951G05-05	5/16	7.9	5	1/2-20	17	29	30
0951G05-06	5/16	7.9	5	9/16-18	19	29	31
0951G06-05	3/8	9.5	6	1/2-20	17	33	30
0951G06-06	3/8	9.5	6	9/16-18	19	31	32
*SAE 45° 0951G06-07	3/8	9.5	6	5/8-18	22	33	32
0951G06-08	3/8	9.5	6	3/4-16	24	33	34
0951G06-10	3/8	9.5	6	7/8-14	27	33	36
0951G08-08	1/2	12.7	8	3/4-16	24	41	41
0951G08-10	1/2	12.7	8	7/8-14	27	41	40
0951G08-12	1/2	12.7	8	1.1/16-12	32	39	43
0951G10-10	5/8	15.9	10	7/8-14	27	43	44
WELDED 0951G12-10	3/4	19	12	7/8-14	27	56	53
0951G12-12	3/4	19	12	1.1/16-12	32	56	54
0951G12-14	3/4	19	12	1.3/16-12	36	57	53
0951G12-16	3/4	19	12	1.5/16-12	38	55	56
0951G16-12	1	25.4	16	1.1/16-12	32	70	63
0951G16-16	1	25.4	16	1.5/16-12	38	70	65

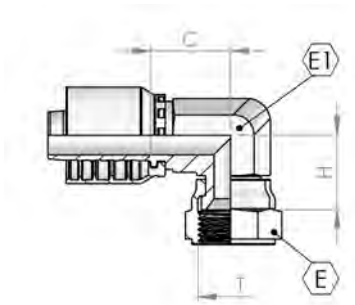
0950G



JIC 90° Swept Elbow 74° Cone - Thrust Wire Nut

Part number	Hose I.D.		Dimension				
	in	mm	dash size	thread	hex	cut-off	Drop
				T	E	C	H
0950G20-20	1.1/4	31.8	20	1.5/8"-12	50	87	83
0950G24-24	1.1/2	38.1	24	1.7/8"-12	55	102	97
0950G32-32	2	50.8	32	2.1/2"-12	70	125	134

2971G



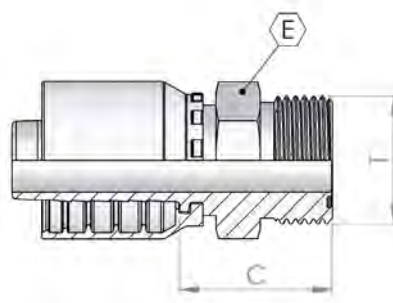
JIC 90° Compact Elbow 74° Cone - Crimped Nut

Part number	Hose I.D.		Dimension					
	in	mm	dash size	thread	hex		cut-off	Drop
				T	E	E1	C	H
2971G04-04	1/4	6.4	4	7/16-20	15	15	19	17
2971G04-05	1/4	6.4	4	1/2-20	17	15	19	18
2971G04-06	1/4	6.4	4	9/16-18	19	15	19	19
2971G05-06	5/16	7.9	5	9/16-18	19	17	20	20
2971G06-06	3/8	9.5	6	9/16-18	19	17	23	20
2971G06-08	3/8	9.5	6	3/4-16	24	22	24	22
2971G08-08	1/2	12.7	8	3/4-16	24	22	26	23
2971G08-10	1/2	12.7	8	7/8-14	27	22	26	24
2971G12-12	3/4	19	12	1.1/16-12	32	27	32	29
2971G16-16	1	25.4	16	1.5/16-12	38	32	38	34

S350G

ORFS Male

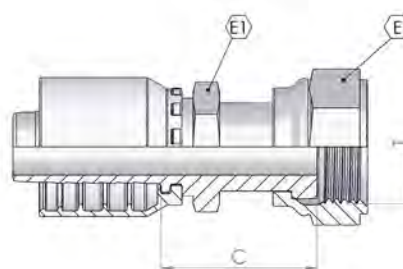
- with plug and O-Ring



Part number	Hose I.D.		Dimension			
	in	mm	dash size	thread	hex	cut-off
				T	E	C
S350G04-06	1/4	6.4	4	9/16-18	17	23
S350G04-09	1/4	6.4	4	11/16-16	19	21
S350G05-09	5/16	7.9	5	11/16-16	19	26
S350G06-09	3/8	9.5	6	11/16-16	19	26
S350G06-11	3/8	9.5	6	13/16-16	22	29
S350G08-11	1/2	12.7	8	13/16-16	22	29
S350G08-13	1/2	12.7	8	1-14	27	34
S350G08-14	1/2	12.7	8	1.3/16-12	32	35
S350G10-13	5/8	15.9	10	1-14	27	33
S350G10-14	5/8	15.9	10	1.3/16-12	32	35
S350G12-14	3/4	19.0	12	1.3/16-12	32	36
S350G12-15	3/4	19.0	12	1.7/16-12	38	36
S350G16-15	1	25.4	16	1.7/16-12	38	37
S350G16-21	1	25.4	16	1.11/16-12	46	38
S350G20-21	1.1/4	31.8	20	1.11/16-12	46	39

S05TG

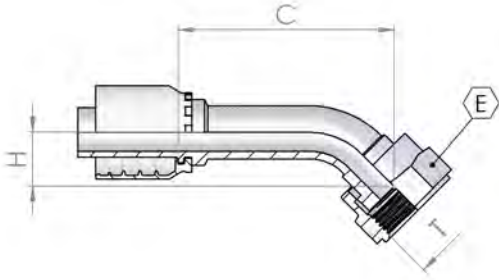
ORFS Female Back Hexagon



Part number	Hose I.D.		Dimension				
	in	mm	dash size	thread	hex		cut-off
				T	E	E1	C
S05TG04-06	1/4	6.4	4	9/16-18	17	15	30
S05TG06-09	3/8	9.5	6	11/16-16	22	17	34
S05TG08-11	1/2	12.7	8	13/16-16	24	19	37
S05TG10-13	5/8	15.9	10	1-14	30	24	41
S05TG12-14	3/4	19.0	12	1.3/16-12	36	30	42
S05TG16-15	1	25.4	16	1.7/16-12	41	36	50
S05TG-20-21	1.1/4	31.8	20	1.11/16-12	50	46	60
S05TG-24-32	1.1/2	38.1	24	2-12	60	50	68

S250G

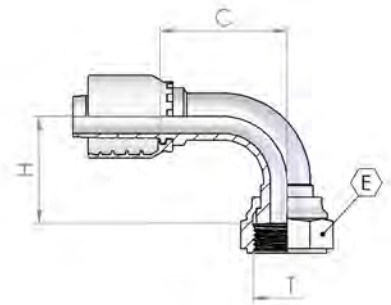
ORFS 45° Swept Elbow



Part number	Hose I.D.		Dimension				
	in	mm	dash size	thread	hex	cut-off	Drop
				T	E	C	H
S250G04-06	1/4	6.4	4	9/16-18	19	40	14
S250G04-09	1/4	6.4	4	11/16-16	22	38	14
S250G05-09	5/16	7.9	5	11/16-16	22	44	14
S250G06-09	3/8	9.5	6	11/16-16	22	52	17
S250G06-11	3/8	9.5	6	13/16-16	24	51	18
S250G08-11	1/2	12.7	8	13/16-16	24	62	20
S250G08-13	1/2	12.7	8	1-14	30	64	23
S250G08-14	1/2	12.7	8	1.3/16-12	36	62	23
S250G10-13	5/8	15.9	10	1-14	30	67	22
WELDED S250G10-14	5/8	15.9	10	1.3/16-12	36	44	18
WELDED S250G12-13	3/4	19.0	12	1-14	30	40	15
S250G12-14	3/4	19.0	12	1.3/16-12	36	84	23
S250G12-15	3/4	19.0	12	1.7/16-12	41	84	26
S250G16-15	1	25.4	16	1.7/16-12	41	100	31
WELDED S250G20-21	1.1/4	31.8	20	1.11/16-12	50	125	44
WELDED S250G24-32	1.1/2	38.1	24	2-12	60	78	29

S150G

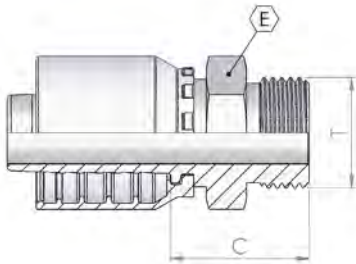
ORFS 90° Swept Elbow



Part number	Hose I.D.		Dimension				
	in	mm	dash size	thread	hex	cut-off	Drop
				T	E	C	H
S150G04-06	1/4	6.4	4	9/16-18	19	25	26
S150G04-09	1/4	6.4	4	11/16-16	22	25	23
S150G05-09	5/16	7.9	5	11/16-16	22	29	32
S150G06-09	3/8	9.5	6	11/16-16	22	33	33
S150G06-11	3/8	9.5	6	13/16-16	24	33	32
S150G08-11	1/2	12.7	8	13/16-16	24	39	36
S150G08-13	1/2	12.7	8	1-14	30	39	40
S150G08-14	1/2	12.7	8	1.3/16-12	36	42	39
S150G10-13	5/8	15.9	10	1-14	30	47	39
WELDED S150G10-14	5/8	15.9	10	1.3/16-12	36	42	39
WELDED S150G12-13	3/4	19.0	12	1-14	30	42	39
S150G12-14	3/4	19.0	12	1.3/16-12	36	57	49
S150G12-15	3/4	19.0	12	1.7/16-12	41	56	51
S150G16-15	1	25.4	16	1.7/16-12	41	67	62
WELDED S150G16-21	1	25.4	20	1.11/16-12	50	62	58
WELDED S150G20-21	1.1/4	31.8	20	1.11/16-12	50	63	58
WELDED S150G24-32	1.1/2	38.1	24	2-12	60	80	73

0385G

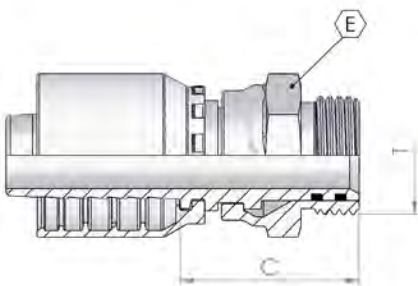
SAE Male O'R - Flat Seat



Part number	Hose I.D.		Dimension			
	in	mm	dash size	thread	hex	cut-off
				T	E	C
0385G04-04	1/4	6.4	4	7/16-20	14	24
0385G04-06	1/4	6.4	4	9/16-18	17	24
0385G05-06	5/16	7.9	5	9/16-18	17	24
0385G06-06	3/8	9.5	6	9/16-18	17	25
0385G06-08	3/8	9.5	6	3/4-16	22	28
0385G08-08	1/2	12.7	8	3/4-16	22	28
0385G08-10	1/2	12.7	8	7/8-14	27	30
0385G08-12	1/2	12.7	8	1.1/16-12	32	32
0385G10-10	5/8	15.9	10	7/8-14	27	30
0385G10-12	5/8	15.9	10	1.1/16-12	32	32
0385G12-12	3/4	19.0	12	1.1/16-12	32	33

0390G

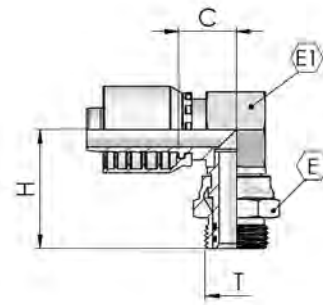
Swivel Male O'Ring



Part number	Hose I.D.		Dimension			
	in	mm	dash size	thread	hex	cut-off
				T	E	C
0390G08-10	1/2	12.7	8	7/8-14	27	39
0390G10-10	5/8	15.9	10	7/8-14	27	39
0390G12-12	3/4	19.0	12	1.1/16-12	32	43

0395G

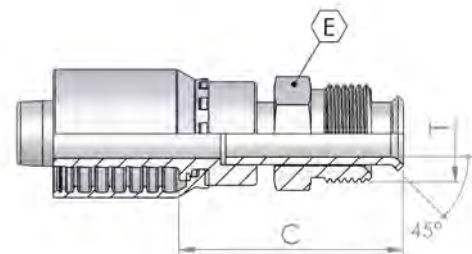
90° Swivel Male O'ring



Part number	Hose I.D.		Dimension					
	in	mm	dash size	thread	hex		cut-off	Drop
				T	E	E1	C	H
0395G08-10	1/2	12.7	8	7/8-14	27	27	21	48
0395G10-10	5/8	15.9	10	7/8-14	27	27	21	48
0395G12-12	3/4	19.0	12	1.1/16-12	32	32	25	52

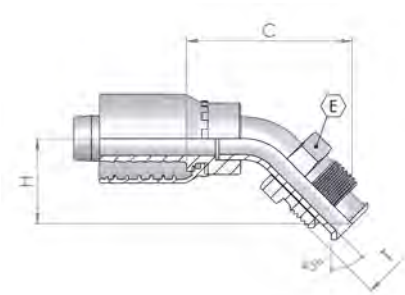
IF00G

Straight Male Inverted Flare Swivel



Part number	Hose I.D.		Dimension			
	in	mm	dash size	thread	hex	cut-off
				T	E	C
IF00G04-04	1/4	6.4	4	7/16-24	12	38
IF00G04-05	1/4	6.4	4	1/2-20	14	55
IF00G05-04	5/8	7.9	5	7/16-24	12	56
IF00G05-05	5/8	7.9	5	1/2-20	14	56
IF00G05-07	5/8	7.9	5	5/8-18	17	56
IF00G06-04	3/8	9.5	6	7/16-24	12	56
IF00G06-05	3/8	9.5	6	1/2-20	14	56
IF00G06-07	3/8	9.5	6	5/8-18	17	57
IF00G06-09	3/8	9.5	6	11/16-18	19	42
IF00G08-08	1/2	12.7	8	3/4-18	19	60

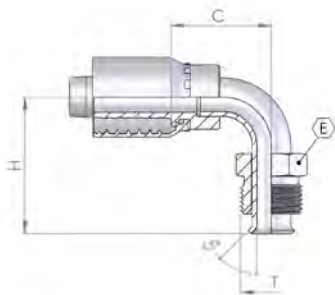
IF45G



45° Male Inverted Flare Swivel

Part number	Hose I.D.		Dimension				
	in	mm	dash size	thread	hex	cut-off	Drop
				T	E	C	H
IF45G06-04	3/8	9.5	6	7/16-24	12	48	25
IF45G06-05	3/8	9.5	6	1/2-20	14	48	25
IF45G06-07	3/8	9.5	6	5/8-18	17	54	30
IF45G06-09	3/8	9.5	6	11/16-18	19	54	30
IF45G08-08	1/2	12.7	8	3/4-18			

IF90G

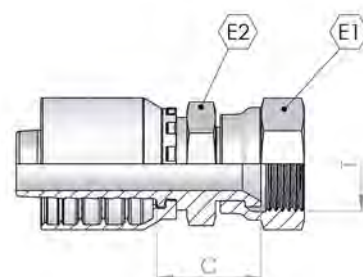


90° Male Inverted Flare Swivel

Part number	Hose I.D.		Dimension				
	in	mm	dash size	thread	hex	cut-off	Drop
				T	E	C	H
IF90G04-04	1/4	6.4	4	7/16-24	12	29	36
IF90G04-05	1/4	6.4	4	1/2-20	14	30	34
IF90G05-04	5/8	7.9	5	7/16-24	12	24	38
IF90G05-05	5/8	7.9	5	1/2-20	14	30	35
IF90G05-07	5/8	7.9	5	5/8-18	17	30	43
IF90G06-04	3/8	9.5	6	7/16-24	12	30	35
IF90G06-05	3/8	9.5	6	1/2-20	14	30	35
IF90G06-07	3/8	9.5	6	5/8-18	17	31	44
IF90G06-09	3/8	9.5	6	11/16-18	19	31	42
IF90G08-08	1/2	12.7	8	3/4-18	19	35	45

0930G

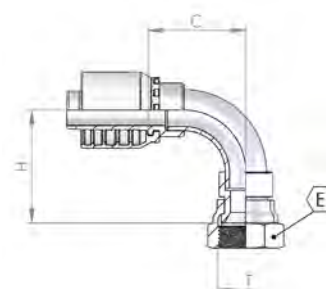
JIS Female 60° Cone (Toyota)



Part number	Hose I.D.		Dimension				
	in	mm	dash size	thread	hex		cut-off
				T	E	E1	C
0930G04-04	1/4	6.4	4	1/4-19	19	17	20
0930G06-06	3/8	9.5	6	3/8-19	22	19	22
0930G08-08	1/2	12.7	8	1/2-14	27	22	26
0930G12-12	3/4	19.0	12	3/4-14	32	30	29
0930G16-16	1	25.4	16	1-11	38	36	31
0930G20-20	1,1/4	31.8	20	1,1/4-11	50	46	35
0930G24-24	1,1/2	38.1	24	1,1/2-11	55	50	28

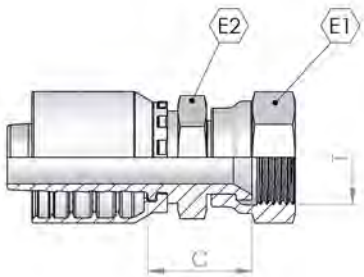
0980G

90° JIS Swept Elbow (Toyota) - welded



Part number	Hose I.D.		Dimension				
	in	mm	dash size	thread	hex	cut-off	Drop
				T	E	C	H
0980G04-04	1/4	6.4	4	1/4-19	19	38	35
0980G06-06	3/8	9.5	6	3/8-19	22	27	30
0980G08-08	1/2	12.7	8	1/2-14	27	33	39
0980G12-12	3/4	19.0	12	3/4-14	32	48	55
0980G16-16	1	25.4	16	1-11	38	57	62
0980G20-20	1,1/4	31.8	20	1,1/4-11	50	63	65
0980G24-24	1,1/2	38.1	24	1,1/2-11	55	80	83

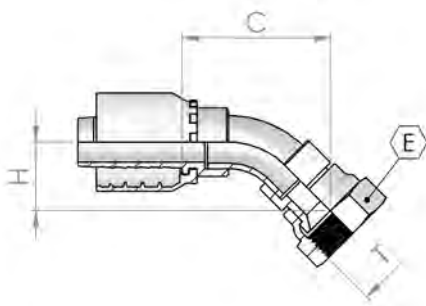
0940G



JIS Female 60° Cone (Komatsu)

Part number	Hose I.D.		Dimension				
	in	mm	dash size	thread	hex		cut-off
				T	E	E1	C
0940G04-14	1/4	6.4	4	M14x1,5	19	17	22
0940G05-16	5/16	7.9	5	M16x1,5	22	17	22
0940G06-14	3/8	9.5	6	M14x1,5	19	17	22
0940G06-18	3/8	9.5	6	M18x1,5	24	19	21
0940G08-22	1/2	12.7	8	M22x1,5	27	22	27
0940G10-24	5/8	15.9	10	M24x1,5	30	27	26
0940G12-30	3/4	19.0	12	M30x1,5	36	30	30
0940G16-33	1	25.4	16	M33x1,5	41	36	33
0940G20-36	1.1/4	31.8	20	M36x1,5	46	46	37
0940G24-42	1.1/2	38.1	24	M42x1,5	50	50	38

1040G

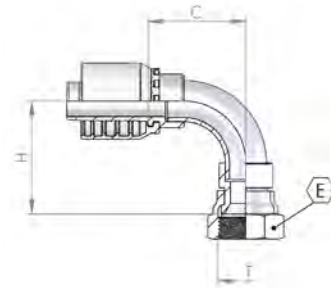


45° JIS Swept Elbow (Komatsu) - Welded

Part number	Hose I.D.		Dimension				
	in	mm	dash size	thread	hex	cut-off	Drop
				T	E	C	H
1040G-04-14	1/4	6.4	4	M14-1.5	19	44	18
1040G05-16	5/16	7.9	5	M16-1.5	22	38	18
1040G06-14	3/8	9.5	6	M14-1.5	19	41	18
1040G06-18	3/8	9.5	6	M18-1.5	24	43	18
1040G08-22	1/2	12.7	8	M22-1.5	27	40	20
1040G10-24	5/8	15.9	10	M24-1.5	30	50	26
1040G12-30	3/4	19.0	12	M30-1.5	36	56	26
1040G16-33	1	25.4	16	M33-1.5	41	65	33

0990G

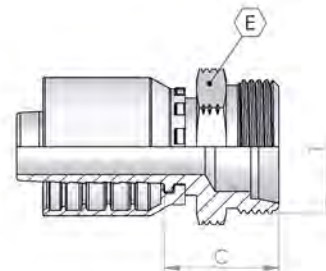
90° JIS Swept Elbow (Komatsu) - Welded



Part number	Hose I.D.		Dimension				
	in	mm	dash size	thread	hex	cut-off	Drop
				T	E	C	H
0990G04-14	1/4	6.4	4	M14x1,5	19	38	35
0990G05-16	5/16	7.9	5	M16x1,5	22	27	30
0990G06-14	3/8	9.5	6	M14x1,5	19	31	33
0990G06-18	3/8	9.5	6	M18x1,5	24	31	33
0990G08-22	1/2	12.7	8	M22x1,5	27	33	39
0990G10-24	5/8	15.9	10	M24x1,5	30	42	48
0990G12-30	3/4	19.0	12	M30x1,5	36	48	43
0990G16-33	1	25.4	16	M33x1,5	41	57	62

KO5BG

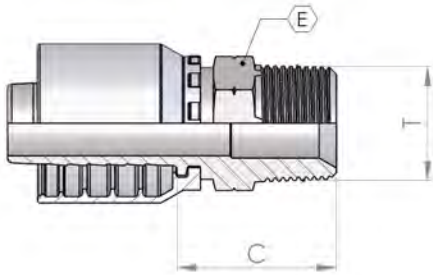
Kobelko Male



Part number	Hose I.D.		Dimension			
	in	mm	dash size	thread	hex	cut-off
				T	E	C
KO5BG10-30	5/8	15.9	10	M30-1.5	32	32
KO5BG12-30	3/4	19.0	12	M30-1.5	32	35
KO5BG12-36	3/4	19.0	12	M36-1.5	41	36
KO5BG16-36	1	25.4	16	M36-1.5	41	37
KO5BG16-45	1	25.4	16	M45-1,5	50	38

0360G

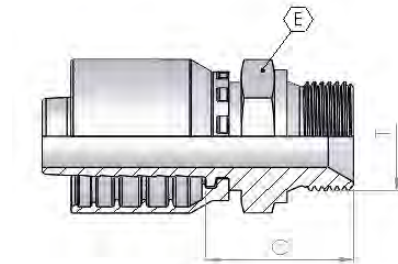
BSP Taper Male 60° Cone



Part number	Hose I.D.		Dimension			
	in	mm	dash size	thread	hex	cut-off
				T	E	C
0360G03-02	3/16	4.8	3	1/8-28	12	21
0360G03-04	3/16	4.8	3	1/4-19	15	27
0360G04-02	1/4	6.4	4	1/8-28	12	22
0360G04-04	1/4	6.4	4	1/4-19	15	28
0360G04-06	1/4	6.4	4	3/8-19	19	28
0360G05-04	5/16	7.9	5	1/4-19	15	28
0360G05-06	5/16	7.9	5	3/8-19	19	28
0360G06-04	3/8	9.5	6	1/4-19	17	28
0360G06-06	3/8	9.5	6	3/8-19	19	28
0360G06-08	3/8	9.5	6	1/2-14	22	33
0360G08-06	1/2	12.7	8	3/8-19	19	29
0360G08-08	1/2	12.7	8	1/2-14	22	34
0360G08-12	1/2	12.7	8	3/4-14	27	36
0360G10-08	5/8	15.9	10	1/2-14	22	34
0360G10-10	5/8	15.9	10	5/8-14	24	35
0360G10-12	5/8	15.9	10	3/4-14	27	36
0360G12-12	3/4	19.0	12	3/4-14	27	37
0360G12-16	3/4	19.0	12	1-11	36	43
0360G16-16	1	25.4	16	1-11	36	44
0360G16-20	1	25.4	16	1.1/4-11	46	46
0360G20-20	1.1/4	31.8	20	1.1/4-11	46	47
0360G20-24	1.1/4	31.8	20	1.1/2-11	50	49
0360G24-24	1.1/2	38.1	24	1.1/2-11	50	49
0360G24-32	1.1/2	38.1	24	2-11	65	55
0360G32-32	2	50.8	32	2-11	65	55

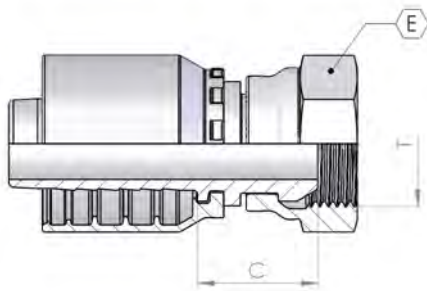
0350G

BSP Male Parallel 60° Cone



Part number	Hose I.D.		Dimension			
	in	mm	dash size	thread	hex	cut-off
				T	E	C
0350G03-02	3/16	4.8	3	1/8-28	14	21
0350G03-04	3/16	4.8	3	1/4-19	19	26
0350G04-02	1/4	6.4	4	1/8-28	14	21
0350G04-04	1/4	6.4	4	1/4-19	19	27
0350G04-06	1/4	6.4	4	3/8-19	22	28
0350G04-08	1/4	6.4	4	1/2-14	27	35
0350G05-04	5/16	7.9	5	1/4-19	19	27
0350G05-06	5/16	7.9	5	3/8-19	22	28
0350G05-08	5/16	7.9	5	1/2-14	27	32
0350G06-04	3/8	9.5	6	1/4-19	19	27
0350G06-06	3/8	9.5	6	3/8-19	22	29
0350G06-08	3/8	9.5	6	1/2-14	27	32
0350G08-06	1/2	12.7	8	3/8-19	22	29
0350G08-08	1/2	12.7	8	1/2-14	27	33
0350G08-10	1/2	12.7	8	5/8-14	30	34
0350G08-12	1/2	12.7	8	3/4-14	32	35
0350G10-08	5/8	15.9	10	1/2-14	27	33
0350G10-10	5/8	15.9	10	5/8-14	30	35
0350G10-12	5/8	15.9	10	3/4-14	32	35
0350G12-12	3/4	19.0	12	3/4-14	32	36
0350G12-16	3/4	19.0	12	1-11	41	39
0350G16-16	1	25.4	16	1-11	41	40
0350G16-20	1	25.4	16	1.1/4-11	50	44
0350G20-16	1.1/4	31.8	20	1-11	41	41
0350G20-20	1.1/4	31.8	20	1.1/4-11	50	45
0350G20-24	1.1/4	31.8	20	1.1/2-11	55	46
0350G24-24	1.1/2	38.1	24	1.1/2-11	55	46
0350G24-32	1.1/2	38.1	24	2-11	70	54
0350G32-24	2	50.8	32	1.1/2-11	65	50
0350G32-32	2	50.8	32	2-11	70	54

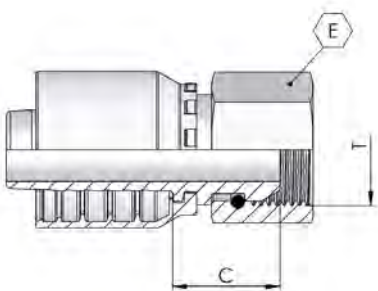
0051G



BSP Female 60° Cone - Rolled Nut

Part number	Hose I.D.		Dimension			
	in	mm	dash size	thread	hex	cut-off
				T	E	C
0051G03-02	3/16	4.8	3	1/8-28	14	15
0051G03-04	3/16	4.8	3	1/4-19	19	17
0051G04-02	1/4	6.4	4	1/8-28	14	15
0051G04-04	1/4	6.4	4	1/4-19	19	17
0051G04-06	1/4	6.4	4	3/8-19	22	19
0051G04-08	1/4	6.4	4	1/2-14	27	22
0051G05-04	5/16	7.9	5	1/4-19	19	17
0051G05-06	5/16	7.9	5	3/8-19	22	19
0051G05-08	5/16	7.9	5	1/2-14	27	22
0051G06-04	3/8	9.5	6	1/4-19	19	17
0051G06-06	3/8	9.5	6	3/8-19	22	19
0051G06-08	3/8	9.5	6	1/2-14	27	22
0051G08-06	1/2	12.7	8	3/8-19	22	20
0051G08-08	1/2	12.7	8	1/2-14	27	23
0051G08-10	1/2	12.7	8	5/8-14	30	20
0051G08-12	1/2	12.7	8	3/4-14	32	27
0051G10-08	5/8	15.9	10	1/2-14	27	23
0051G10-10	5/8	15.9	10	5/8-14	30	20
0051G10-12	5/8	15.9	10	3/4-14	32	25
0051G12-08	3/4	19	12	1/2-14	27	24
0051G12-12	3/4	19	12	3/4-14	32	25
0051G12-16	3/4	19	12	1-11	38	26
0051G16-12	1	25.4	16	3/4-14	32	27
0051G16-16	1	25.4	16	1-11	38	27

0050G

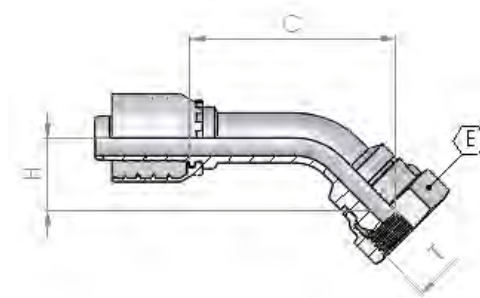


BSP Female 60° Cone - Thrust Wire Nut

Part number	Hose I.D.		Dimension			
	in	mm	dash size	thread	hex	cut-off
				T	E	C
0050G20-20	1.1/4	31.8	20	1.1/4-11	50	32
0050G24-24	1.1/2	38.1	24	1.1/2-11	55	34
0050G32-32	2	50.8	32	2-11	70	30

0251G

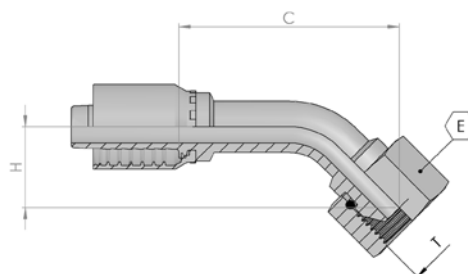
BSP 45° Swept Elbow 60° Cone - Rolled nut



Part number	Hose I.D.		Dimension				
	in	mm	dash size	thread	hex	cut-off	Drop
				T	E	C	H
0251G03-02	3/16	4.8	3	1/8-28	14	33	15
0251G03-04	3/16	4.8	3	1/4-19	19	35	15
0251G04-02	1/4	6.4	4	1/8-28	14	40	14
0251G04-04	1/4	6.4	4	1/4-19	19	41	15
0251G05-04	5/16	7.9	5	1/4-19	19	47	16
0251G05-06	5/16	7.9	5	3/8-19	22	51	19
0251G06-04	3/8	9.5	6	1/4-19	19	50	16
0251G06-06	3/8	9.5	6	3/8-19	22	52	19
0251G06-08	3/8	9.5	6	1/2-14	27	55	21
0251G08-06	1/2	12.7	8	3/8-19	22	63	22
0251G08-08	1/2	12.7	8	1/2-12	27	65	24
0251G08-10	1/2	12.7	8	5/8-14	30	64	21
0251G08-12	1/2	12.7	8	3/4-14	32	67	26
0251G10-08	5/8	15.9	10	1/2-14	27	68	24
0251G10-10	5/8	15.9	10	5/8-14	30	68	23
0251G10-12	5/8	15.9	10	3/4-14	32	72	27
0251G12-12	3/4	19	12	3/4-14	32	86	30
0251G12-16	3/4	19	12	1-11	38	88	32
0251G16-16	1	25.4	16	1-11	38	107	35

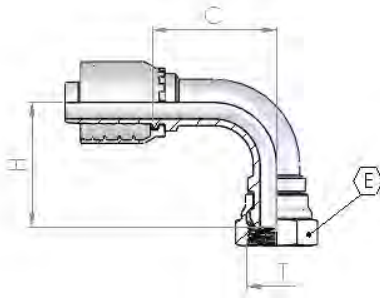
0250G

BSP 45° Swept Elbow 60° Cone - Thrust Wire Nut



Part number	Hose I.D.		Dimension				
	in	mm	dash size	thread	hex	cut-off	Drop
				T	E	C	H
0250G20-20	1.1/4	31.8	20	1.1/4-11	50	107	40
0250G24-24	1.1/2	38.1	24	1.1/2-11	55	117	47
0250G32-32	2	50.8	32	2-11	70	142	65

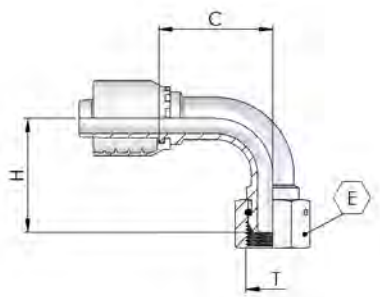
0151G



BSP 90° Swept elbow 60° Cone - Rolled Nut

Part number	Hose I.D.		Dimension				
	in	mm	dash size	thread	hex	cut-off	Drop
				T	E	C	H
0151G03-02	3/16	4.8	3	1/8-28	14	22	23
0151G03-04	3/16	4.8	3	1/4-19	19	22	25
0151G04-02	1/4	6.4	4	1/8-28	14	25	25
0151G04-04	1/4	6.4	4	1/4-19	19	25	27
0151G04-06	1/4	6.4	4	3/8-19	22	25	31
0151G05-04	5/16	7.9	5	1/4-19	19	31	31
0151G05-06	5/16	7.9	5	3/8-19	22	29	36
0151G06-04	3/8	9.5	6	1/4-19	19	31	33
0151G06-06	3/8	9.5	6	3/8-19	22	33	35
0151G06-08	3/8	9.5	6	1/2-14	27	31	40
0151G08-06	1/2	12.7	8	3/8-19	22	39	42
0151G08-08	1/2	12.7	8	1/2-14	27	39	41
0151G08-10	1/2	12.7	8	5/8-14	30	40	41
0151G08-12	1/2	12.7	8	3/4-14	32	41	46
0151G10-10	5/8	15.9	10	5/8-14	30	43	43
0151G10-12	5/8	15.9	10	3/4-14	32	45	50
0151G12-12	3/4	19	12	3/4-14	32	56	57
0151G12-16	3/4	19	12	1-11	38	56	60
0151G16-16	1	25.4	16	1-11	38	70	67

0150G

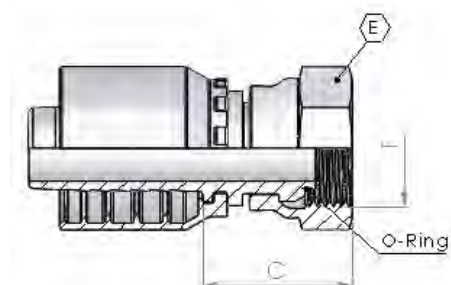


BSP 90° Swept Elbow 60° Cone - Thrust Wire Nut

Part number	Hose I.D.		Dimension				
	in	mm	dash size	thread	hex	cut-off	Drop
				T	E	C	H
0150G20-20	1.1/4	31.8	20	1.1/4-11	50	86	81
0150G24-24	1.1/2	38.1	24	1.1/2-11	55	103	95
0150G32-32	2	50.8	32	2-11	70	122	135

0041G

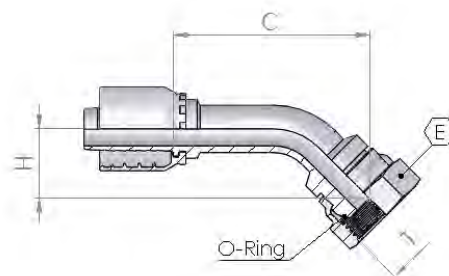
BSP O'Ring Female 60° Cone-Rolled Nut



Part number	Hose I.D.		Dimension			
	in	mm	dash size	thread	hex	cut-off
				T	E	C
0041G04-04	1/4	6.4	4	1/4-19	19	17
0041G06-06	3/8	9.5	6	3/8-19	22	19
0041G08-08	1/2	12.7	8	1/2-14	27	21
0041G10-10	5/8	15.9	10	5/8-14	30	21
0041G12-12	3/4	19	12	3/4-14	32	26
0041G16-16	1	25.4	16	1-11	38	28

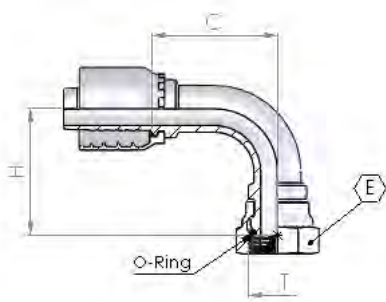
0241G

BSP O'Ring 45° Swept Elbow 60° Cone - Rolled nut



Part number	Hose I.D.		Dimension				
	in	mm	dash size	thread	hex	cut-off	Drop
				T	E	C	H
0241G04-04	1/4	6.4	4	1/4-19	19	41	15
0241G06-06	3/8	9.5	6	3/8-19	22	52	21
0241G08-08	1/2	12.7	8	1/2-14	27	63	22
0241G10-10	5/8	15.9	10	5/8-14	30	68	23
0241G12-12	3/4	19	12	3/4-14	32	88	28
0241G16-16	1	25.4	16	1-11	38	83	32

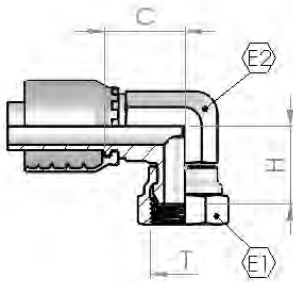
0141G



BSP O'Ring 90° Swept elbow 60° Cone- Rolled Nut

Part number	Hose I.D.		Dimension				
	in	mm	dash size	thread	hex	cut-off	Drop
				T	E	C	H
0141G04-04	1/4	6.4	4	1/4-19	19	25	27
0141G06-06	3/8	9.5	6	3/8-19	22	33	34
0141G08-08	1/2	12.7	8	1/2-14	27	41	40
0141G10-10	5/8	15.9	10	5/8-14	30	43	55
0141G12-12	3/4	19	12	3/4-14	32	56	54
0141G16-16	1	25.4	16	1-11	38	70	67

2321G

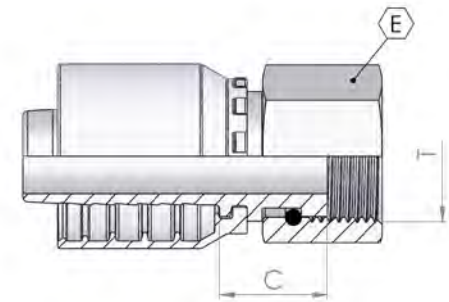


BSP 90° Compact Elbow 60° Cone - Rolled nut

Part number	Hose I.D.		Dimension					
	in	mm	dash size	thread	hex		cut-off	Drop
				T	E	E1	C	H
2321G04-04	1/4	6.4	4	1/4-19	19	15	19	20
2321G04-06	1/4	6.4	4	3/8-19	22	17	24	29
2321G05-06	5/16	7.9	5	3/8-19	22	17	24	23
2321G06-06	3/8	9.5	6	3/8-19	22	17	23	23
2321G06-08	3/8	9.5	6	1/2-14	27	19	28	26
2321G08-08	1/2	12.7	8	1/2-14	27	22	26	27
2321G12-12	3/4	19	12	3/4-14	32	27	32	32
2321G16-16	1	25.4	16	1-11	38	32	38	36

0060G

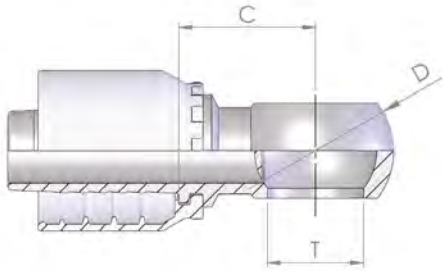
BSP Female Flat Seal



Part number	Hose I.D.		Dimension			
	in	mm	dash size	thread	hex	cut-off
				T	E	C
0060G04-04	1/4	6.4	4	1/4-19	19	14
0060G04-06	1/4	6.4	4	3/8-19	22	15
0060G05-04	5/16	7.9	5	1/4-19	19	14
0060G05-06	5/16	7.9	5	3/8-19	22	15
0060G05-08	5/16	7.9	5	1/2-14	27	17
0060G06-06	3/8	9.5	6	3/8-19	22	15
0060G06-08	3/8	9.5	6	1/2-14	27	16
0060G08-08	1/2	12.7	8	1/2-14	27	16
0060G08-10	1/2	12.7	8	5/8-14	30	16
0060G08-12	1/2	12.7	8	3/4-14	32	23
0060G10-10	5/8	15.9	10	5/8-14	30	16
0060G10-12	5/8	15.9	10	3/4-14	32	20
0060G12-12	3/4	19.0	12	3/4-14	32	21
0060G12-16	3/4	19.0	12	1-11	38	23
0060G16-16	1	25.4	16	1-11	38	22
0060G24-24	1.1/2	38.1	24	1.1/2-11	55	27

1400G

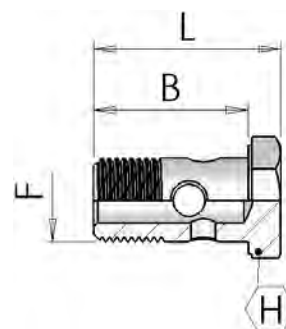
BSP Banjo



Part number	Hose I.D.		Dimension				
	in	mm	dash size	hole	Flange	D	cut-off
				T	mm	Øball	C
1400G03-02	3/16	4.8	3	1/8-28	10.2	17	19
1400G03-04	3/16	4.8	3	1/4-19	13.3	24	26
1400G04-02	1/4	6.4	4	1/8-28	10.2	17	25
1400G04-04	1/4	6.4	4	1/4-19	13.3	24	26
1400G04-06	1/4	6.4	4	3/8-19	17	28	26
1400G05-04	5/16	7.9	5	1/4-19	13.3	24	26
1400G05-06	5/16	7.9	5	3/8-19	17	28	26
1400G06-04	3/8	9.5	6	1/4-19	13.3	24	26
1400G06-06	3/8	9.5	6	3/8-19	17	28	26
1400G06-08	3/8	9.5	6	1/2-14	21.2	36	31
1400G08-06	1/2	12.7	8	3/8-19	17	28	27
1400G08-08	1/2	12.7	8	1/2-14	21.2	36	31
1400G08-10	1/2	12.7	8	5/8-14	23.1	38	29
1400G08-12	1/2	12.7	8	3/4-14	26.5	45	38
1400G10-10	5/8	15.9	10	5/8-14	23.1	39	29
1400G10-12	5/8	15.9	10	3/4-14	26.5	45	38
1400G12-12	3/4	19.0	12	3/4-14	26.5	45	38
1400G12-16	3/4	19.0	12	1-11	33.5	58	49
1400G16-16	1	25.4	16	1-11	33.5	58	50

1600-00

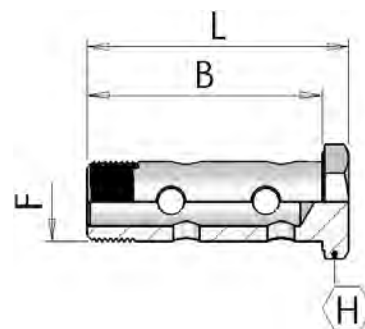
BSP perfored bolt



Part number	Dimension			
	F	B	L	Drop H
1600-00-02	1/8-28	19	24	14
1600-00-04	1/4-19	29	34	19
1600-00-06	3/8-19	33	41	22
1600-00-08	1/2-14	38	46	27
1600-00-10	5/8-14	44	54	30
1600-00-12	3/4-14	47	56	32
1600-00-16	1-11	58	69	41

1600

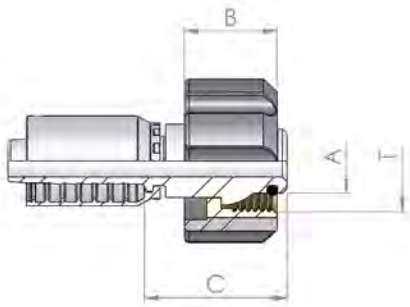
Double BSP perfored bolt



Part number	Dimension			
	F	B	L	Drop H
1600-04-04	1/4-19	43	49	19
1600-06-06	3/8-19	49	57	22
1600-08-08	1/2-14	62	70	27
1600-12-12	3/4-14	78	87	32
1600-16-16	1-11	98	109	41

FK50G

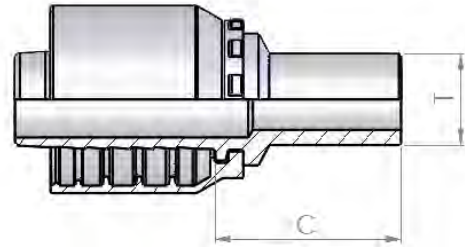
K' Female



Part number	Hose I.D.		Dimension				
	in	mm	dash size	thread	cut-off		
				T	C	A	B
FK50G04-22	1/4	6.4	4	M22-1.5	31	14	20
FK50G05-22	5/16	7.9	5	M22-1.5	31	14	20
FK50G06-22	3/8	9.5	6	M22-1.5	31	14	20
FK50G04022	1/4	6.4	4	M22-1.5	31	14	27
FK50G05022	5/16	7.9	5	M22-1.5	31	14	27
FK50G06022	3/8	9.5	6	M22-1.5	31	14	27

0550G

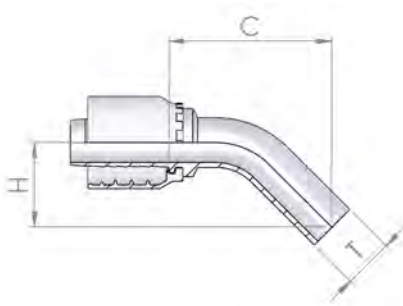
Metric Standpipe



Part number	Hose I.D.		Dimension			
	in	mm	dash size	pipe	Type	cut-off
0550G03-06	3/16	4.8	3	6	L/S	30
0550G03-08	3/16	4.8	3	8	L/S	29
0550G04-06	1/4	6.4	4	6	L/S	32
0550G04-08	1/4	6.4	4	8	L/S	30
0550G04-10	1/4	6.4	4	10	L/S	33
0550G04-12	1/4	6.4	4	12	L/S	30
0550G05-08	5/16	7.9	5	08	L/S	31
0550G05-10	5/16	7.9	5	10	L/S	31
0550G05-12	5/16	7.9	5	12	L/S	33
0550G06-08	3/8	9.5	6	08	L/S	33
0550G06-10	3/8	9.5	6	10	L/S	33
0550G06-12	3/8	9.5	6	12	L/S	32
0550G06-14	3/8	9.5	6	14	S	37
0550G06-15	3/8	9.5	6	15	L	32
0550G08-12	1/2	12.7	8	12	L/S	36
0550G08-14	1/2	12.7	8	14	S	39
0550G08-15	1/2	12.7	8	15	L	34
0550G08-16	1/2	12.7	8	16	S	39
0550G08-18	1/2	12.7	8	18	L	35
0550G08-20	1/2	12.7	8	20	S	45
0550G10-18	5/8	15.9	10	18	L	35
0550G10-20	5/8	15.9	10	20	S	45
0550G10-22	5/8	15.9	10	22	L	33
0550G12-18	3/4	19.0	12	18	L	37
0550G12-20	3/4	19.0	12	20	S	46
0550G12-22	3/4	19.0	12	22	L	38
0550G12-25	3/4	19.0	12	25	S	49
0550G12-28	3/4	19.0	12	28	L	40
0550G16-25	1	25.4	16	25	S	51
0550G16-28	1	25.4	16	28	L	41
0550G16-30	1	25.4	16	30	S	54
0550G16-38	1	25.4	16	38	S	60
0550G20-30	1.1/4	31.8	20	30	S	58
0550G20-35	1.1/4	31.8	20	35	L	48
0550G20-38	1.1/4	31.8	20	38	S	62
0550G24-38	1.1/2	38.1	24	38	S	63
0550G24-42	1.1/2	38.1	24	42	L	50

0750G

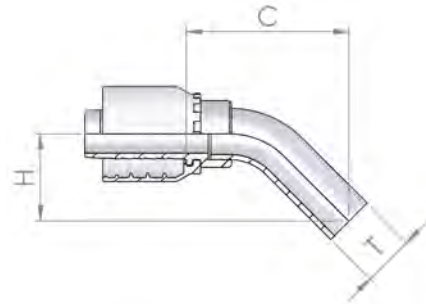
45° Metric Standpipe



Part number	Hose I.D.		Dimension				
	in	mm	dash size	pipe	Type	cut-off	Drop
				T		C	H
0750G04-06	1/4	6.4	4	6	L/S	41	24
0750G04-08	1/4	6.4	4	8	L/S	43	25
0750G04-10	1/4	6.4	4	10	L/S	47	30
0750G05-10	5/16	7.9	5	10	L/S	49	30
0750G05-12	5/16	7.9	5	12	L/S	53	32
0750G06-12	3/8	9.5	6	12	L/S	52	33

0750G

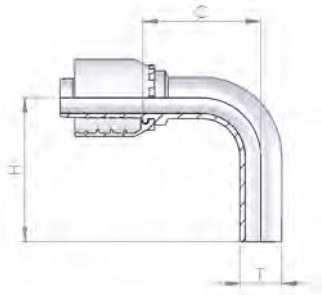
45° Metric Standpipe (Welded)



Part number	Hose I.D.		Dimension				
	in	mm	dash size	pipe	Type	cut-off	Drop
				T		C	H
0750G04-12	1/4	6.4	4	12	L/S	54	29
0750G06-14	3/8	9.5	6	14	S	50	27
0750G06-15	3/8	9.5	6	15	L	54	29
0750G08-14	1/2	12.7	8	14	S	50	27
0750G08-15	1/2	12.7	8	15	L	55	29
0750G08-16	1/2	12.7	8	16	S	54	27
0750G08-18	1/2	12.7	8	18	L	56	29
0750G10-18	5/8	15.9	10	18	L	56	29
0750G10-20	5/8	15.9	10	20	S	56	34
0750G10-22	5/8	15.9	10	22	L	66	35
0750G12-20	3/4	19.0	12	20	S	63	34
0750G12-22	3/4	19.0	12	22	L	65	35
0750G12-25	3/4	19.0	12	25	S	76	41
0750G16-25	1	25.4	16	25	S	76	41
0750G16-28	1	25.4	16	28	L	84	49
0750G16-30	1	25.4	16	30	S	86	44
0750G20-30	1.1/4	31.8	20	30	S	88	44
0750G20-35	1.1/4	31.8	20	35	L	94	47
0750G20-38	1.1/4	31.8	20	38	S	101	50
0750G24-38	1.1/2	38.1	24	38	S	100	50
0750G24-42	1.1/2	38.1	24	42	L	114	55

0650G

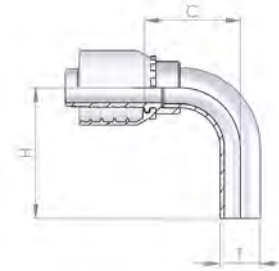
90° Metric Standpipe



Part number	Hose I.D.		Dimension				
	in	mm	dash size	pipe	Type	cut-off	Drop
				T		C	H
0650G03-06	3/16	4.8	3	6	L/S	20	32
0650G04-06	1/4	6.4	4	6	L/S	23	32
0650G04-08	1/4	6.4	4	8	L/S	25	34
0650G04-10	1/4	6.4	4	10	L/S	25	43
0650G05-10	5/16	7.9	5	10	L/S	29	40
0650G05-12	5/16	7.9	5	12	L/S	29	45
0650G06-10	3/8	9.5	6	10	L/S	27	40
0650G06-12	3/8	9.5	6	12	L/S	30	44

0650G

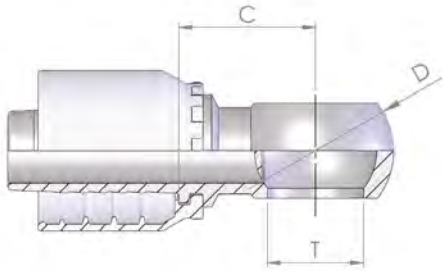
90° Metric Standpipe (welded)



Part number	Hose I.D.		Dimension				
	in	mm	dash size	pipe	Type	cut-off	Drop
0650G06-15	3/8	9.5	6	15	L	39	52
0650G03-08	3/16	4.8	3	8	L/S	25	41
0650G04-12	1/4	6.4	4	12	L/S	35	44
0650G05-08	5/16	7.9	5	8	L/S	27	41
0650G06-14	3/8	9.5	6	14	S	36	46
0650G08-12	1/2	12.7	8	12	L/S	33	44
0650G08-14	1/2	12.7	8	14	S	36	46
0650G08-15	1/2	12.7	8	15	L	39	52
0650G08-16	1/2	12.7	8	16	S	42	56
0650G08-18	1/2	12.7	8	18	L	42	56
0650G10-18	5/8	15.9	10	18	L	42	56
0650G10-20	5/8	15.9	10	20	S	48	65
0650G10-22	5/8	15.9	10	22	L	51	71
0650G12-20	3/4	19.0	12	20	S	48	65
0650G12-22	3/4	19.0	12	22	L	51	71
0650G12-25	3/4	19.0	12	25	S	57	75
0650G16-25	1	25.4	16	25	S	57	75
0650G16-28	1	25.4	16	28	L	60	89
0650G16-30	1	25.4	16	30	S	65	89
0650G20-30	1.1/4	31.8	20	30	S	66	89
0650G20-35	1.1/4	31.8	20	35	L	76	98
0650G20-38	1.1/4	31.8	20	38	S	83	102
0650G24-38	1.1/2	38.1	24	38	S	82	102
0650G24-42	1.1/2	38.1	24	42	L	106	125

1350G

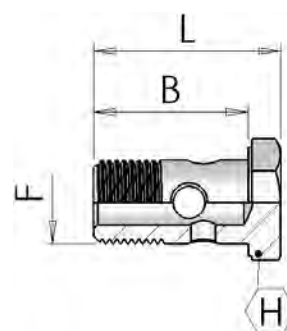
Metric Banjo



Part number	Hose I.D.		Dimension				
	in	mm	dash size	hole T	Flange mm	D Øball	cut-off C
1350G03-10	3/16	4.8	3	M10-1	10.2	17	25
1350G03-12	3/16	4.8	3	M12-1.5	12.2	20	21
1350G04-10	1/4	6.4	4	M10-1	10.2	17	25
1350G04-12	1/4	6.4	4	M12-1.5	12.2	20	22
1350G04-14	1/4	6.4	4	M14-1.5	14.2	24	25
1350G05-14	5/16	7.9	5	M14-1.5	14.2	24	25
1350G05-16	5/16	7.9	5	M16-1.5	16.2	28	31
1350G05-18	5/16	7.9	5	M18-1.5	18.2	32	29
1350G06-14	3/8	9.5	6	M14-1.5	14.2	24	25
1350G06-16	3/8	9.5	6	M16-1.5	16.2	28	31
1350G06-18	3/8	9.5	6	M18-1.5	18.2	32	29
1350G06-22	3/8	9.5	6	M22-1.5	22.2	36	31
1350G08-16	1/2	12.7	8	M16-1.5	16.2	28	30
1350G08-18	1/2	12.7	8	M18-1.5	18.2	32	29
1350G08-22	1/2	12.7	8	M22-1.5	22.2	36	31
1350G10-22	5/8	15.9	10	M22-1.5	22.2	36	31
1350G10-26	5/8	15.9	10	M26-1.5	26.2	45	38
1350G12-22	3/4	19.0	12	M22-1.5	22.2	36	32

1650

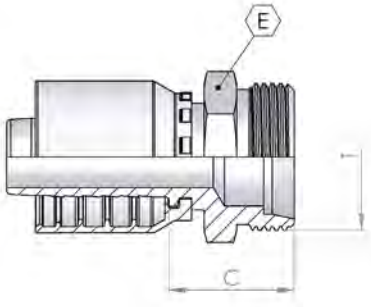
Metric perfored bolt



Part number	Dimension			
	F	B	L	Drop H
1650-00-10	M10-1	19	24	14
1650-00-12	M12-1.5	26	31	17
1650-00-14	M14-1.5	29	34	19
1650-00-16	M16-1.5	33	41	22
1650-00-18	M18-1.5	37	44	24
1650-00-20	M20-1.5	38	46	27
1650-00-22	M22-1.5	38	46	27
1650-00-26	M26-1.5	47	56	32
1650-00-30	M30-1.5	58	68	36

0500G

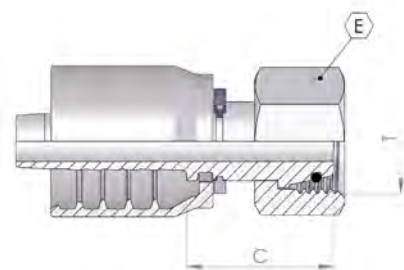
Metric Male 24° - Seat Light



Part number	Hose I.D.		Dimension				
	in	mm	dash size	thread	erm	hex	cut-off
				T		E	C
0500G03-12	3/16	4.8	3	M12-1.5	6	14	22
0500G04-12	1/4	6.4	4	M12-1.5	6	14	23
0500G04-14	1/4	6.4	4	M14-1.5	8	14	22
0500G04-16	1/4	6.4	4	M16-1.5	10	17	23
0500G04-18	1/4	6.4	4	M18-1.5	12	19	24
0500G05-14	5/16	7.9	5	M14-1.5	8	14	22
0500G05-16	5/16	7.9	5	M16-1.5	10	17	23
0500G05-18	5/16	7.9	5	M18-1.5	12	19	24
0500G05-22	5/16	7.9	5	M22-1.5	15	22	25
0500G06-16	3/8	9.5	6	M16-1.5	10	17	23
0500G06-18	3/8	9.5	6	M18-1.5	12	19	24
0500G06-22	3/8	9.5	6	M22-1.5	15	22	25
0500G08-18	1/2	12.7	8	M18-1.5	12	19	25
0500G08-22	1/2	12.7	8	M22-1.5	15	22	26
0500G08-26	1/2	12.7	8	M26-1.5	18	27	27
0500G10-22	5/8	15.9	10	M22-1.5	15	22	26
0500G10-26	5/8	15.9	10	M26-1.5	18	27	27
0500G10-30	5/8	15.9	10	M30-2	22	30	32
0500G12-26	3/4	19.0	12	M26-1.5	18	27	28
0500G12-30	3/4	19.0	12	M30-2	22	30	33
0500G16-36	1	25.4	16	M36-2	28	36	32
0500G20-45	1.1/4	31.8	20	M45-2	35	46	36
0500G24-52	1.1/2	38.1	24	M52-2	42	55	38

0085G

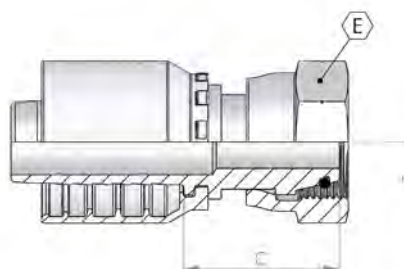
Metric Female 24° - Seat Light



Part number	Hose I.D.		Dimension				
	in	mm	dash size	thread	erm	hex	cut-off
				T		E	C
0085G03-12	3/16	4.8	3	M12-1.5	6	14	23
0085G04-14	1/4	6.4	4	M14-1.5	8	17	24
0085G04-16	1/4	6.4	4	M16-1.5	10	19	24
0085G04-18	1/4	6.4	4	M18-1.5	12	22	25
0085G05-16	5/16	7.9	5	M16-1.5	10	19	24
0085G05-18	5/16	7.9	5	M18-1.5	12	22	25
0085G06-18	3/8	9.5	6	M18-1.5	12	22	25
0085G06-22	3/8	9.5	6	M22-1.5	15	27	29
0085G08-22	1/2	12.7	8	M22-1.5	15	27	29
0085G08-26	1/2	12.7	8	M26-1.5	18	32	29
0085G10-26	5/8	15.9	10	M26-1.5	18	32	29
0085G10-30	5/8	15.9	12	M30-2	22	36	29
0085G12-30	3/4	19.0	12	M30-2	22	36	29
0085G12-36	3/4	19.0	12	M36-2	28	41	28
0085G16-36	1	25.4	16	M36-2	28	41	30
0085G20-45	1.1/4	31.8	20	M45-2	35	50	40
0085G24-52	1.1/2	38.1	24	M52-2	42	60	41

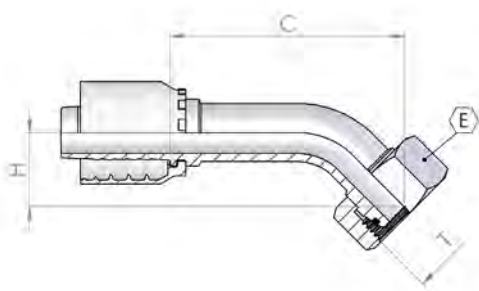
0085G

Metric Female 24° - Seat Light (rolled nut)



Part number	Hose I.D.		Dimension				
	in	mm	dash size	thread	erm	hex	cut-off
				T		E	C
0085G-04-12	1/4	6.4	4	M12-1.5	6	14	25
0085G-05-14	5/16	7.9	5	M14-1.5	8	19	26
0085G-06-16	3/8	9.5	6	M16-1.5	10	19	25
0085G-08-18	1/2	12.7	8	M18-1.5	12	24	28
0085G-10-22	5/8	15.9	10	M22-1.5	15	27	32
0085G-12-26	3/4	19.0	12	M26-1.5	18	32	36

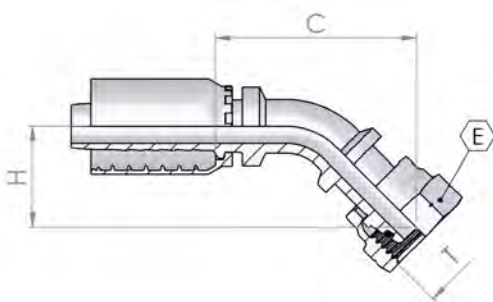
0285G



45° Metric Swept Elbow 24° - Seat Light

Part number	Hose I.D.		Dimension					
	in	mm	dash size	thread	erm	hex	cut-off	Drop
				T		E	C	H
0285G03-12	3/16	4.8	3	M12-1.5	6	14	36	14
0285G04-14	1/4	6.4	4	M14-1.5	8	17	42	14
0285G04-16	1/4	6.4	4	M16-1.5	10	19	42	15
0285G04-18	1/4	6.4	4	M18-1.5	12	22	43	16
0285G05-16	5/16	7.9	5	M16-1.5	10	19	48	17
0285G05-18	5/16	7.9	5	M18-1.5	12	22	48	18
0285G06-18	3/8	9.5	6	M18-1.5	12	22	52	19
0285G06-22	3/8	9.5	6	M22-1.5	15	27	51	19
0285G08-22	1/2	12.7	8	M22-1.5	15	27	63	21
0285G08-26	1/2	12.7	8	M26-1.5	18	32	44	17
0285G10-26	5/8	15.9	10	M26-1.5	18	32	68	23
0285G12-26	3/4	19.0	12	M26-1.5	18	32	43	19
0285G12-30	3/4	19.0	12	M30-2	22	36	85	27
0285G16-36	1	25.4	16	M36-2	28	41	102	32
0285G20-45	1.1/4	31.8	20	M45-2	35	50	72	34
0285G24-52	1.1/2	38.1	24	M52-2	42	60	85	36

0285G

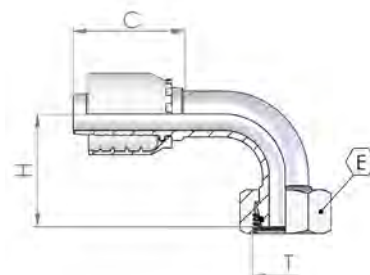


45° Metric Swept Elbow 24° - Seat Light (rolled nut)

Part number	Hose I.D.		Dimension					
	in	mm	dash size	thread	erm	hex	cut-off	Drop
				T		E	C	H
0285G04-12	1/4	6.4	4	M12-1.5	6	14	46	20
0285G06-16	3/8	9.5	6	M16-1.5	10	19	55	22

0185G

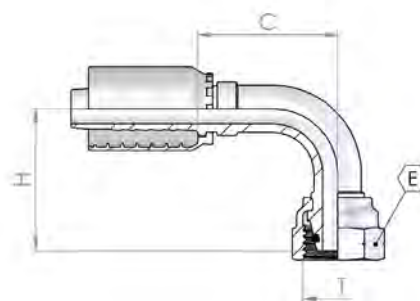
90° Metric Swept Elbow 24° - Seat Light



Part number	Hose I.D.		Dimension					
	in	mm	dash size	thread	erm	hex	cut-off	Drop
				T		E	C	H
0185G03-12	3/16	4.8	3	M12-1.5	6	14	22	23
0185G04-14	1/4	6.4	4	M14-1.5	8	17	26	26
0185G04-16	1/4	6.4	4	M16-1.5	10	19	25	27
0185G04-18	1/4	6.4	4	M18-1.5	12	22	27	30
0185G05-16	5/16	7.9	5	M16-1.5	10	19	31	31
0185G05-18	5/16	7.9	5	M18-1.5	12	22	31	32
0185G06-18	3/8	9.5	6	M18-1.5	12	22	32	35
0185G06-22	3/8	9.5	6	M22-1.5	15	27	32	35
0185G08-22	1/2	12.7	8	M22-1.5	15	27	41	38
0185G08-26	1/2	12.7	8	M26-1.5	18	32	41	39
0185G10-26	5/8	15.9	10	M26-1.5	18	32	44	44
0185G12-26	3/4	19.0	12	M26-1.5	18	32	42	44
0185G12-30	3/4	19.0	12	M30-2	22	36	58	52
0185G12-36	3/4	19.0	12	M36-2	28	41	49	51
0185G16-36	1	25.4	16	M36-2	28	41	72	62
0185G20-45	1.1/4	31.8	20	M45-2	35	50	63	73
0185G24-52	1.1/2	38.1	24	M52-2	42	60	81	83

0185G

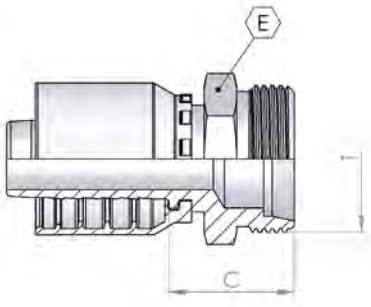
90° Metric Swept Elbow 24° - Seat Light (rolled nut)



Part number	Hose I.D.		Dimension					
	in	mm	dash size	thread	erm	hex	cut-off	Drop
				T		E	C	H
0185G04-12	1/4	6.4	4	M12-1.5	6	14	26	34
0185G05-14	5/16	7.9	5	M14-1.5	8	17	30	38
0185G06-16	3/8	9.5	6	M16-1.5	10	19	32	39
0185G08-18	1/2	12.7	8	M18-1.5	12	22	33	48
0185G10-22	5/8	15.9	8	M22-1.5	15	27	42	55

0450G

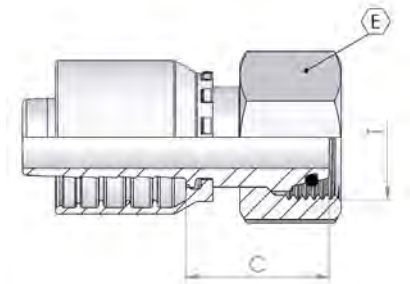
Metric Male 24° - Seat Heavy



Part number	Hose I.D.		Dimension				
	in	mm	dash size	thread	erm	hex	cut-off
				T		E	C
0450G03-16	3/16	4.8	3	M16-1.5	8	17	26
0450G04-14	1/4	6.4	4	M14-1.5	6	14	25
0450G04-16	1/4	6.4	4	M16-1.5	8	17	27
0450G04-18	1/4	6.4	4	M18-1.5	10	19	27
0450G05-18	5/16	7.9	5	M18-1.5	10	19	27
0450G05-20	5/16	7.9	5	M20-1.5	12	22	29
0450G06-18	3/8	9.5	6	M18-1.5	10	19	27
0450G06-20	3/8	9.5	6	M20-1.5	12	22	29
0450G06-22	3/8	9.5	6	M22-1.5	14	22	31
0450G06-24	3/8	9.5	6	M24-1.5	16	24	31
0450G08-24	1/2	12.7	8	M24-1.5	16	24	32
0450G10-30	5/8	15.9	10	M30-2	20	30	34
0450G12-30	3/4	19.0	12	M30-2	20	30	35
0450G12-36	3/4	19.0	12	M36-2	25	36	38
0450G16-36	1	25.4	16	M36-2	25	36	39
0450G16-42	1	25.4	16	M42-2	30	46	42
0450G20-42	1.1/4	31.8	20	M42-2	30	46	43
0450G20-52	1.1/4	31.8	20	M52-2	38	55	45
0450G24-52	1.1/2	38.1	24	M52-2	38	55	45

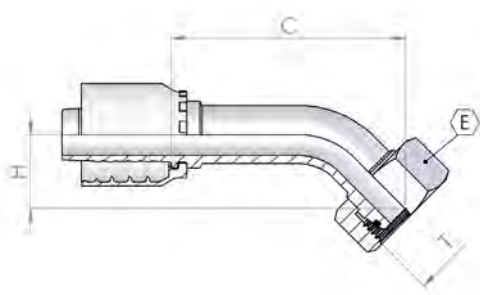
0084G

Metric Female 24° - Seat Heavy



Part number	Hose I.D.		Dimension				
	in	mm	dash size	thread	erm	hex	cut-off
				T		E	C
0084G03-16	3/16	4.8	3	M16-1.5	8	19	25
0084G04-14	1/4	6.4	4	M14-1.5	6	17	23
0084G04-16	1/4	6.4	4	M16-1.5	8	19	25
0084G04-18	1/4	6.4	4	M18-1.5	10	22	24
0084G05-18	5/16	7.9	5	M18-1.5	10	22	24
0084G05-20	5/16	7.9	5	M20-1.5	12	24	26
0084G06-16	3/8	9.5	6	M16-1.5	8	19	26
0084G06-18	3/8	9.5	6	M18-1.5	10	22	25
0084G06-20	3/8	9.5	6	M20-1.5	12	24	25
0084G06-22	3/8	9.5	6	M22-1.5	14	27	29
0084G08-22	1/2	12.7	8	M22-1.5	14	27	17
0084G08-24	1/2	12.7	8	M24-1.5	16	30	30
0084G08-30	1/2	12.7	8	M30-2	20	36	33
0084G10-24	5/8	15.9	10	M24-1.5	16	30	31
0084G10-30	5/8	15.9	10	M30-2	20	36	33
0084G12-30	3/4	19.0	12	M30-2	20	36	34
0084G12-36	3/4	19.0	12	M36-2	25	46	40
0084G16-36	1	25.4	16	M36-2	25	46	41
0084G16-42	1	25.4	16	M42-2	30	50	43
0084G20-52	1.1/4	31.8	20	M52-2	38	60	44
0084G24-52	1.1/2	38.1	24	M52-2	38	60	44

0284G

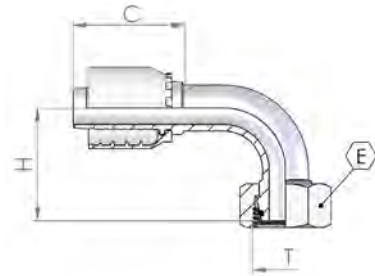


45° Metric Swept Elbow 24° - Seat Heavy

Part number	Hose I.D.		Dimension					
	in	mm	dash size	thread	erm	hex	cut-off	Drop
				T		E	C	H
0284G03-16	3/16	4.8	3	M16-1.5	8	19	36	16
0284G04-14	1/4	6.4	4	M14-1.5	6	17	37	15
0284G04-16	1/4	6.4	4	M16-1.5	8	19	42	15
0284G04-18	1/4	6.4	4	M18-1.5	10	22	45	18
0284G05-20	5/16	7.9	5	M20-1.5	12	24	49	19
0284G06-18	3/8	9.5	6	M18-1.5	10	22	51	19
0284G06-20	3/8	9.5	6	M20-1.5	12	24	53	18
0284G06-22	3/8	9.5	6	M22-1.5	14	27	54	20
0284G08-24	1/2	12.7	8	M24-1.5	16	30	63	21
0284G10-30	5/8	15.9	10	M30-2	20	36	74	29
0284G12-30	3/4	19.0	12	M30-2	20	36	87	30
0284G12-36	3/4	19.0	12	M36-2	25	46	56	31
0284G16-36	1	25.4	16	M36-2	25	46	105	34
0284G16-42	1	25.4	16	M42-2	30	50	82	33
0284G20-52	1.1/4	31.8	20	M52-2	38	60	105	39
0284G24-52	1.1/2	38.1	24	M52-2	38	60	157	52

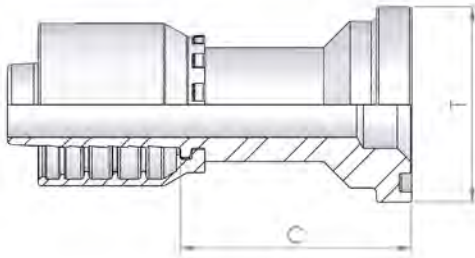
0184G

90° Metric Swept Elbow 24° - Seat Heavy



Part number	Hose I.D.		Dimension					
	in	mm	dash size	thread	erm	hex	cut-off	Drop
				T		E	C	H
0184G03-16	3/16	4.8	3	M16-1.5	8	19	22	25
0184G04-14	1/4	6.4	4	M14-1.5	6	17	27	26
0184G04-16	1/4	6.4	4	M16-1.5	8	19	26	26
0184G04-18	1/4	6.4	4	M18-1.5	10	22	27	31
0184G04-20	1/4	6.4	4	M20-1.5	12	24	27	30
0184G05-18	5/16	7.9	5	M18-1.5	10	22	33	33
0184G05-20	5/16	7.9	5	M20-1.5	12	24	30	34
0184G06-18	3/8	9.5	6	M18-1.5	10	22	34	35
0184G06-20	3/8	9.5	6	M20-1.5	12	24	34	34
0184G06-22	3/8	9.5	6	M22-1.5	14	27	33	33
0184G08-24	1/2	12.7	8	M24-1.5	16	30	40	41
0184G10-24	5/8	15.9	10	M24-1.5	16	30	42	60
0184G10-30	5/8	15.9	10	M30-2	20	36	46	50
0184G12-30	3/4	19.0	12	M30-2	20	36	58	56
0184G12-36	3/4	19.0	12	M36-2	25	46	56	59
0184G16-36	1	25.4	16	M36-2	25	46	69	67
0184G16-42	1	25.4	16	M42-2	30	50	69	67
0184G20-52	1.1/4	31.8	20	M52-2	38	60	84	82
0184G24-52	1.1/2	38.1	24	M52-2	38	60	99	94

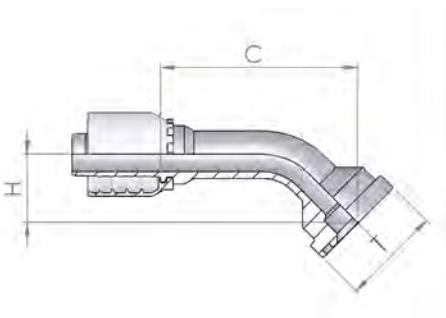
1260G



Straight SAE Flange 3000 PSI

Part number	Hose I.D.		Dimension		
	in	mm	dash size	Flange mm	cut-off C
1260G08-08	1/2	12.7	8	30,2	45
1260G08-12	1/2	12.7	8	38.1	50
1260G10-08	5/8	15.9	10	30,2	45
1260G10-12	5/8	15.9	10	38.1	49
1260G12-12	3/4	19	12	38.1	50
1260G12-16	3/4	19	12	44.5	53
1260G16-16	1	25.4	16	44.5	54
1260G16-20	1	25.4	16	50.8	57
1260G20-20	1.1/4	31.8	20	50.8	59
1260G20-24	1.1/4	31.8	20	60.3	62
1260G24-24	1.1/2	38.1	24	60.3	62
1260G24-32	1.1/2	38.1	24	71.4	67
1260G32-32	2	50.8	32	71.4	68
1260G32-40	2	50.8	32	84.1	76

1160G

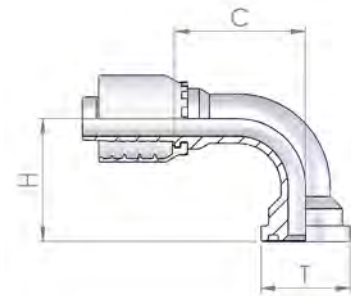


45° SAE Flange 3000 PSI

Part number	Hose I.D.		Dimension			
	in	mm	dash size	Flange mm	cut-off C	Drop H
1160G08-08	1/2	12.7	8	30.2	62	22
1160G08-12	1/2	12.7	8	38.1	67	25
1160G12-12	3/4	19	12	38.1	69	27
1160G12-16	3/4	19	12	44.5	88	30
1160G16-16	1	25.4	16	44.5	82	33
1160G20-20	1.1/4	31.8	20	50.8	102	38
1160G20-24	1.1/4	31.8	20	60.3	129	39
1160G24-24	1.1/2	38.1	24	60.3	114	44
1160G24-32	1.1/2	38.1	24	71.4	148	47
1160G32-32	2	50.8	32	71.4	130	58

1060G

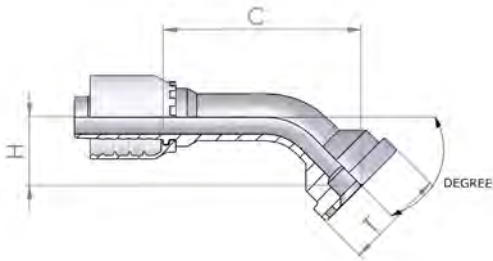
90° SAE Flange 3000 PSI



Part number	Hose I.D.		Dimension			
	in	mm	dash size	Flange mm	cut-off C	Drop H
1060G08-08	1/2	12.7	8	30,2	39	39
1060G08-12	1/2	12.7	8	38.1	39	44
1060G10-08	5/8	15.9	10	30,2	45	42
1060G10-12	5/8	15.9	10	38.1	45	47
1060G12-12	3/4	19	12	38.1	56	53
1060G12-16	3/4	19	12	44.5	56	58
1060G16-16	1	25.4	16	44.5	70	65
1060G16-20	1	25.4	16	50.8	70	70
1060G16-24	1	25.4	16	60.3	72	71
1060G20-16	1.1/4	31.8	20	44.5	81	77
1060G20-20	1.1/4	31.8	20	50.8	86	77
1060G20-24	1.1/4	31.8	20	60.3	85	81
1060G24-24	1.1/2	38.1	24	60.3	98	89
1060G24-32	1.1/2	38.1	24	71.4	93	97
1060G32-32	2	50.8	32	71.4	123	121

1060G

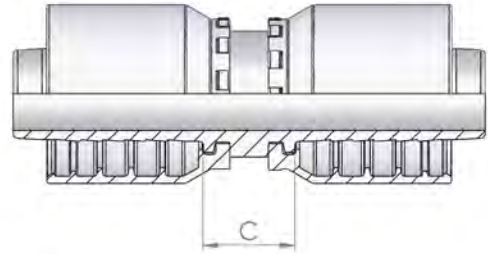
22.5°/30°/60°/67.5° SAE Flange 3000 PSI



Part number	Hose I.D.		dash size	Dimension			Degree
	in	mm		Flange	cut-off	Drop	
				mm	C	H	
1060G12-12 22.5	3/4	19	12	38.1	76	11	22.5°
1060G16-16 22.5	1	25.4	16	44.5	89	14	22.5°
1060G20-20 22.5	1.1/4	31.8	20	50.8	111	14	22.5°
1060G24-24 22.5	1.1/2	38.1	24	60.3	124	17	22.5°
1060G32-32 22.5	2	50.8	32	71.4	144	28	22.5°
1060G12-12 30	3/4	19	12	38.1	75	16	30°
1060G16-16 30	1	25.4	16	44.5	87	19	30°
1060G20-20 30	1.1/4	31.8	20	50.8	109	26	30°
1060G24-24 30	1.1/2	38.1	24	60.3	122	23	30°
1060G32-32 30	2	50.8	32	71.4	142	35	30°
1060G12-12 60	3/4	19	12	38.1	76	36	60°
1060G16-16 60	1	25.4	16	44.5	95	43	60°
1060G20-20 60	1.1/4	31.8	20	50.8	116	49	60°
1060G24-24 60	1.1/2	38.1	24	60.3	138	55	60°
1060G32-32 60	2	50.8	32	71.4	170	80	60°
1060G12-12 67.5	3/4	19	12	38.1	72	41	67.5°
1060G16-16 67.5	1	25.4	16	44.5	91	48	67.5°
1060G20-20 67.5	1.1/4	31.8	20	50.8	110	56	67.5°
1060G24-24 67.5	1.1/2	38.1	24	60.3	131	63	67.5°
1060G32-32 67.5	2	50.8	32	71.4	158	92	67.5°

D050G

Hose Junction



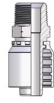
Part number	Hose I.D.		Dimension	
	in	mm	dash size	cut-off
				C
D050G03	3/16	4.8	3	17
D050G04	1/4	6.4	4	17
D050G05	5/16	7.9	5	17
D050G06	3/8	9.5	6	17
D050G08	1/2	12.7	8	18
D050G10	5/8	15.9	10	18
D050G12	3/4	19.0	12	19
D050G16	1	25.4	16	21
D050G20	1.1/4	31.8	20	24
D050G24	1.1/2	38.1	24	24
D050G32	2	50.8	32	26

SPIRAL HOSE
NO-SKIVE

in!

NPTF / NPFSM

0370X



NPTF Male 60° Cone

58

JIC 37°

0850X



JIC Male 74° Cone

58

0900X



JIC Female 74° Cone

59

1000X



JIC 45° Swept Elbow
74° Cone

59

0950X

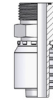


JIC 90° Swept Elbow
74° Cone

60

ORFS

S350X



ORFS Male

60

S05TX



ORFS Female Back
Hexagon

61

S250X



ORFS 45° Swept
Elbow

61

S150X



ORFS 90° Swept
Elbow

62

SAE Boss

0385X



SAE Male O'R Flat
Seat

62

JIS Komatsu

0940X

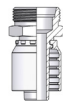


JIS Female 60° Cone
(Komatsu)

63

Kobelco Male

K05BX



Kobelco Male

63

BSP 60°

0360X



BSP Taper Male 60°
Cone

64

0350X



BSP Male Parallel 60°
Cone

65

0050X



BSP Female 60° Cone
Thrust Wire

66

0250X



BSP 45° Swept Elbow
60° Cone

66

0150X



BSP 90° Swept elbow
60° Cone

67

**Metric Din
24° DKOL**

0500X



Metric Male 24° Seat Light

67

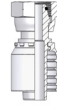
0085X



Metric Female 24° Seat Light

68

0085XR



Metric Female 24° Seat Light (rolled nut)

68

0285X



45° Metric Swept Elbow 24° Seat Light

69

0185X

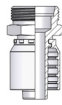


90° Metric Swept Elbow 24° Seat Light

69



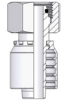
0450X



Metric Male 24° Seat Heavy

70

0084X



Metric Female 24° Seat Heavy

70

0284X



45° Metric Swept Elbow 24° Seat Heavy

71

0184X

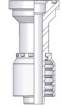


90° Metric Swept Elbow 24° Seat Heavy

71



1250X



Straight SAE Flange 3000 PSI

72

1150X



45° SAE Flange 3000 PSI

72

1050X



90° SAE Flange 3000 PSI

73

1050X

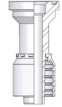


22.5°/30°/60°/67.5° SAE Flange 3000 PSI

74



1300X



Straight SAE Flange 6000 PSI

75

1200X



45° SAE Flange 6000 PSI

75

1100X



90° SAE Flange 6000 PSI

76

1100X

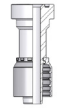


60° SAE Flange 6000 PSI

76



130SX



Straight 'CAT' Flange

77

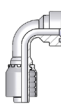
120SX



45° 'CAT' Flange

77

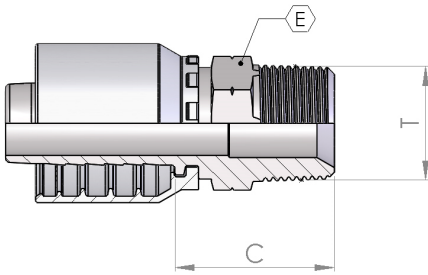
110SX



90° 'CAT' Flange

78

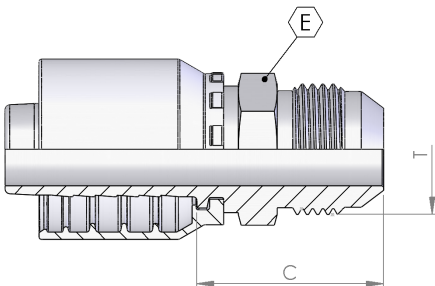
0370X



NPTF Male 60° Cone

Part number	Hose I.D.		Dimension		
	in	mm	dash size	thread	hex
				T	E
0370X12-12	3/4	19	12	3/4-14	27
0370X16-16	1	25.4	16	1-11.1/2	36
0370X20-16	1.1/4	31.8	20	1-11.1/2	41
0370X20-20	1.1/4	31.8	20	1.1/4-11.1/2	46
0370X24-24	1.1/2	38.1	24	1.1/2-11.1/2	50
0370X32-32	2	50.8	32	2-11.1/2	65

0850X

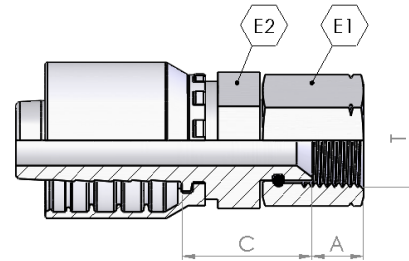


JIC Male 74° Cone

Part number	Hose I.D.		Dimension		
	in	mm	dash size	thread	hex
				T	E
0850X12-10	3/4	19	12	7/8-14	24
0850X12-12	3/4	19	12	1.1/16-12	27
0850X12-14	3/4	19	12	1.3/16-12	32
0850X12-16	3/4	19	12	1.5/16-12	34
0850X12-20	3/4	19	12	1.5/8-12	42
0850X16-12	1	25.4	16	1.1/16-12	27
0850X16-14	1	25.4	16	1.3/16-12	32
0850X16-16	1	25.4	16	1.5/16-12	34
0850X16-20	1	25.4	16	1.5/8-12	42
0850X20-20	1.1/4	31.8	20	1.5/8-12	42
0850X20-24	1.1/4	31.8	20	1.7/8-12	50
0850X24-24	1.1/2	38.1	24	1.7/8-12	50
0850X32-32	2	50.8	32	2.1/2-12	65

0900X

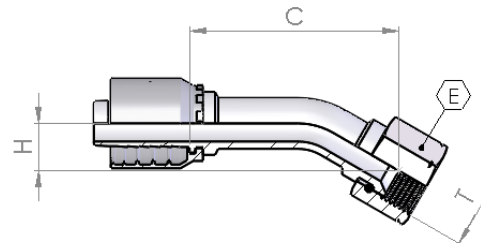
JIC Female 74° Cone



Part number	Hose I.D.		Dimension			
	in	mm	dash size	thread	hex	
				T	E1	E2
0900X12-12	3/4	19	12	1.1/16-12	32	27
0900X16-16	1	25.4	16	1.5/16-12	38	36
0900X20-20	1	31.8	20	1.5/8-12	50	42
0900X20-24	1,1/4	31.8	20	1.7/8-12	55	42
0900X24-24	1,1/4	38.1	24	1.7/8-12	55	50
0900X32-32	2	50,8	32	2.1/2-12	70	65

1000X

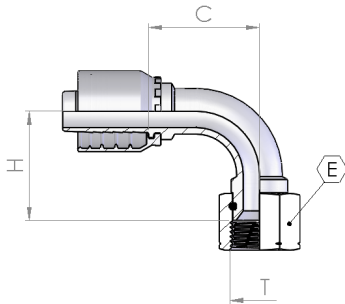
JIC 45° Swept Elbow 74° Cone



Part number	Hose I.D.		Dimension		
	in	mm	dash size	thread	hex
				T	E
1000X12-12	3/4	19	12	1.1/16-12	32
1000X16-16	1	25.4	16	1.5/16-12	41
1000X20-20	1.1/4	31.8	20	1.5/8-12	50
1000X20-24	1.1/4	31.8	20	1.7/8-12	55
1000X24-24	1.1/2	38.1	24	1.7/8-12	55
1000X32-32	2	50.8	32	2.1/2-12	70

0950X

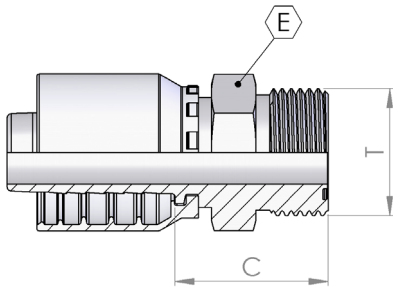
JIC 90° Swept Elbow 74° Cone



Part number	Hose I.D.		Dimension		
	in	mm	dash size	thread	hex
				T	E
0950X12-12	3/4	19	12	1.1/16-12	32
0950X16-16	1	25.4	16	1.5/16-12	41
0950X20-20	1.1/4	31.8	20	1.5/8-12	50
0950X24-24	1.1/2	38.1	24	1.7/8-12	55
0950X32-32	2	50.8	32	2.1/2-12	70

S350X

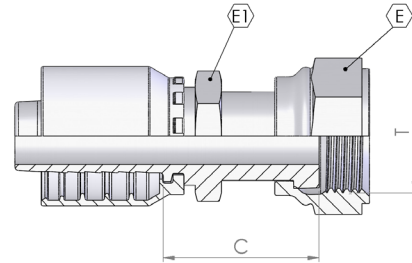
ORFS Male



Part number	Hose I.D.		Dimension		
	in	mm	dash size	thread	hex
				T	E
S350X12-14	3/4	19	12	1.3/16-12	32
S350X12-15	3/4	19	12	1.7/16-12	38
S350X16-15	1	25.4	16	1.7/16-12	38
S350X16-21	1	25.4	16	1.11/16-12	46
S350X20-21	1.1/4	31.8	20	1.11/16-12	46
S350X24-32	1.1/2	38.1	24	2-12	55

S05TX

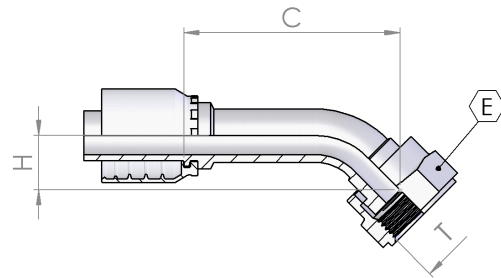
ORFS Female Back Hexagon



Part number	Hose I.D.		Dimension			
	in	mm	dash size	thread	hex	hex
				T	E	E1
S05TX12-14	3/4	19	12	1.3/16-12	36	3030
S05TX16-15	1	25.4	16	1.7/16-12	41	3636
S05TX20-21	1.1/4	31.8	20	1.11/16-12	46	5050
S05TX24-32	1.1/2	38.1	24	2-12	50	6060

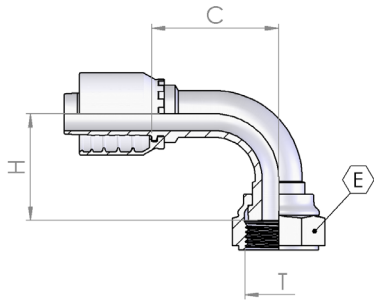
S250X

ORFS 45° Swept Elbow



Part number	Hose I.D.		Dimension		
	in	mm	dash size	thread	hex
				T	E
S250X12-13	3/4	19	12	1-14	30
S250X12-14	3/4	19	12	1.3/16-12	36
S250X12-15	3/4	19	12	1.7/16-12	41
S250X16-15	1	25.4	16	1.7/16-12	41
S250X20-21	1.1/4	31.8	20	1.11/16-12	50
S250X24-32	1.1/2	38.1	24	2.1/2-12	60

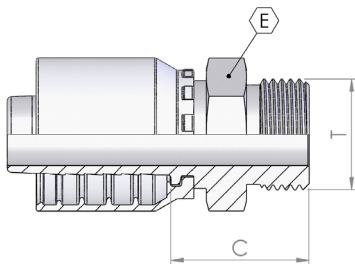
S150X



ORFS 90° Swept Elbow

Part number	Hose I.D.		Dimension		
	in	mm	dash size	thread	hex
				T	E
S150X12-13	3/4	19	12	1-14	30
S150X12-14	3/4	19	12	1.3/16-12	36
S150X12-15	3/4	19	12	1.7/16-12	41
S150X16-15	1	25.4	16	1.7/16-12	41
S150X16-21	1	25.4	20	1.11/16-12	50
S150X20-21	1.1/4	31.8	20	1.11/16-12	50
S150X24-32	1.1/2	38.1	24	2-12	60

0385X

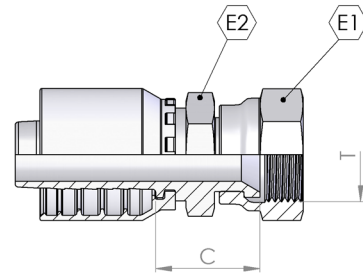


SAE Male O'R Flat Seat

Part number	Hose I.D.		Dimension		
	in	mm	dash size	thread	hex
				T	E
0385X12-12	3/4	19	12	1.1/16-12	32
0385X12-16	3/4	19	12	1.5/16-12	38

0940X

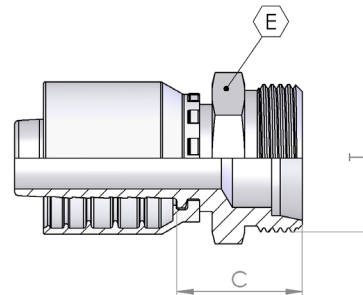
JIS Female 60° Cone (Komatsu)



Part number	Hose I.D.		Dimension			
	in	mm	dash size	thread	hex	
				T	E1	E2
0940X12-30	3/4	19	12	M30x1,5	36	30
0940X16-33	1	25.4	16	M33x1,5	41	36
0940X20-36	1.1/4	31.8	20	M36x1,5	46	46
0940X24-42	1.1/2	38.1	24	M42x1,5	50	50

KO5BX

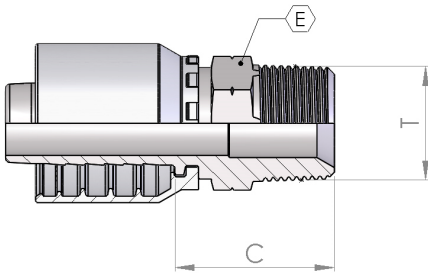
Kobelco Male



Part number	Hose I.D.		Dimension			
	in	mm	dash size	thread	hex	tube
				T	E	
KO5BX12-30	3/4	19	12	M30-1.5	32	22
KO5BX12-36	3/4	19	12	M36-1.5	41	28
KO5BX16-36	1	25.4	16	M36-1.5	41	28
KO5BX16-45	1	25.4	16	M45-1,5	50	35

0360X

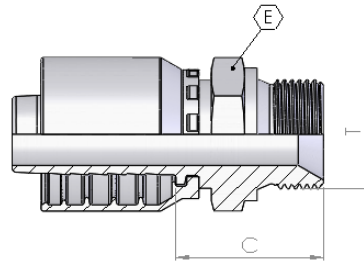
BSP Taper Male 60° Cone



Part number	Hose I.D.		Dimension		
	in	mm	dash size	thread	hex
				T	E
0360X12-12	3/4	19	12	3/4-14	27
0360X12-16	3/4	19	12	1-11	36
0360X16-16	1	25.4	16	1-11	36
0360X16-20	1	25.4	16	1.1/4-11	46
0360X20-20	1.1/4	31.8	20	1.1/4-11	46
0360X20-24	1.1/4	31.8	20	1.1/2-11	50
0360X24-24	1.1/2	38.1	24	1.1/2-11	50
0360X24-32	1.1/2	38.1	24	2-11	65
0360X32-32	2	50.8	32	2-11	65

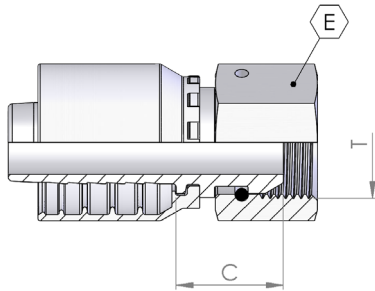
0350X

BSP Male Parallel 60° Cone



Part number	Hose I.D.		Dimension		
	in	mm	dash size	thread	hex
				T	E
0350X12-12	3/4	19	12	3/4-14	32
0350X12-16	3/4	19	12	1-11	41
0350X16-16	1	25.4	16	1-11	41
0350X16-20	1	25.4	16	1.1/4-11	50
0350X20-16	1.1/4	31.8	20	1-11	41
0350X20-20	1.1/4	31.8	20	1.1/4-11	50
0350X20-24	1.1/4	31.8	20	1.1/2-11	55
0350X24-24	1.1/2	38.1	24	1.1/2-11	55
0350X24-32	1.1/2	38.1	24	2-11	70
0350X32-24	2	50.8	32	1.1/2-11	65
0350X32-32	2	50.8	32	2-11	70

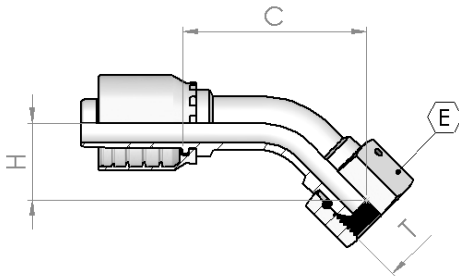
0050X



BSP Female 60° Cone - Thrust Wire

Part number	Hose I.D.		Dimension		
	in	mm	dash size	thread	hex
				T	E
0050X12-12	3/4	19	12	3/4-14	32
0050X16-16	1	25.4	16	1-11	38
0050X16-20	1	25.4	16	1.1/4-11	50
0050X20-20	1.1/4	31.8	20	1.1/4-11	50
0050X20-24	1.1/4	31.8	20	1.1/2-11	55
0050X24-24	1.1/2	38.1	24	1.1/2-11	55
0050X32-32	2	50.8	32	2-11	70

0250X

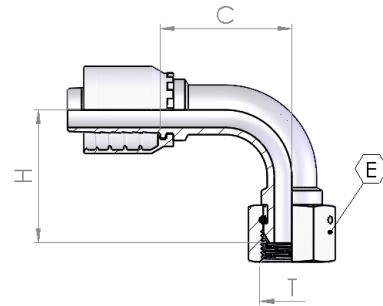


BSP 45° Swept Elbow 60° Cone

Part number	Hose I.D.		Dimension		
	in	mm	dash size	thread	hex
				T	E
0250X12-12	3/4	19	12	3/4-14	32
0250X16-16	1	25.4	16	1-11	38
0250X16-20	1	25.4	16	1.1/4-11	50
0250X20-20	1.1/4	31.8	20	1.1/4-11	50
0250X20-24	1.1/4	31.8	20	1.1/2-11	55
0250X24-24	1.1/2	38.1	24	1.1/2-11	55
0250X32-32	2	50.8	32	2-11	70

0150X

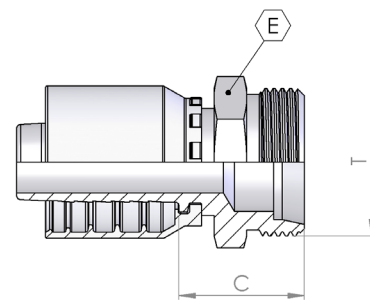
BSP 90° Swept elbow 60° Cone



Part number	Hose I.D.		Dimension		
	in	mm	dash size	thread	hex
				T	E
0150X12-12	3/4	19	12	3/4-14	32
0150X16-16	1	25.4	16	1-11	38
0150X16-20	1	25.4	16	1.1/4-11	50
0150X20-20	1.1/4	31.8	20	1.1/4-11	50
0150X20-24	1.1/4	31.8	20	1.1/2-11	55
0150X24-24	1.1/2	38.1	24	1.1/2-11	55
0150X32-32	2	50.8	32	2-11	70

0500X

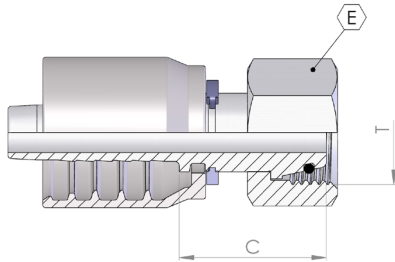
Metric Male 24° - Seat Light



Part number	Hose I.D.		Dimension		
	in	mm	dash size	thread	hex
				T	E
0500X12-26	3/4	19	12	M26-1.5	27
0500X12-30	3/4	19	12	M30-2	30
0500X16-36	1	25.4	16	M36-2	36
0500X20-45	1.1/4	31.8	20	M45-2	46
0500X24-52	1.1/2	38.1	24	M52-2	55

0085X

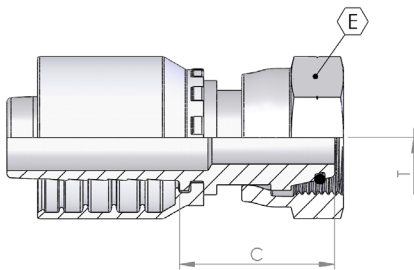
Metric Female 24° Seat Light



Part number	Hose I.D.		Dimension		
	in	mm	dash size	thread	hex
				T	E
0085X12-30	3/4	19	12	M30-2	36
0085X12-36	3/4	19	12	M36-2	41
0085X16-36	1	25.4	16	M36-2	41
0085X20-45	1.1/4	31.8	20	M45-2	50
0085X24-52	1.1/2	38.1	24	M52-2	60

0085X

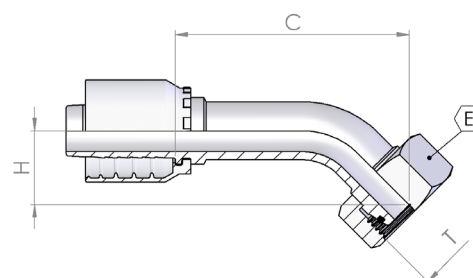
Metric Female 24° - Seat Light (rolled nut)



Part number	Hose I.D.		Dimension		
	in	mm	dash size	thread	hex
				T	E
0085X-12-26	3/4	19	12	M26-1.5	32

0285X

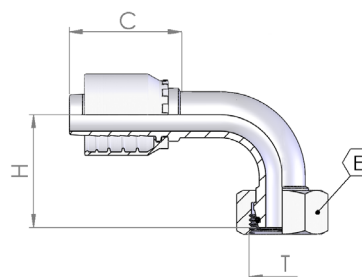
45° Metric Swept Elbow 24° - Seat Light



Part number	Hose I.D.		Dimension		
	in	mm	dash size	thread	hex
				T	E
0285X12-26	3/4	19	12	M26-1.5	32
0285X12-30	3/4	19	12	M30-2	36
0285X16-36	1	25.4	16	M36-2	41
0285X20-45	1.1/4	31.8	20	M45-2	50
0285X24-52	1.1/2	38.1	24	M52-2	60

0185X

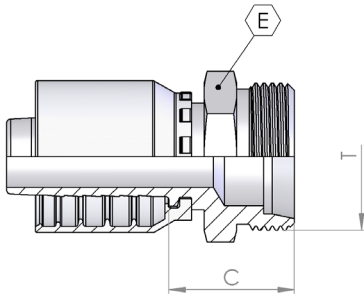
90° Metric Swept Elbow 24° - Seat Light



Part number	Hose I.D.		Dimension		
	in	mm	dash size	thread	hex
				T	E
0185X12-26	3/4	19	12	M26-1.5	32
0185X12-30	3/4	19	12	M30-2	36
0185X12-36	3/4	19	12	M36-2	41
0185X16-36	1	25.4	16	M36-2	41
0185X20-45	1.1/4	31.8	20	M45-2	50
0185X24-52	1.1/2	38.1	24	M52-2	60

0450X

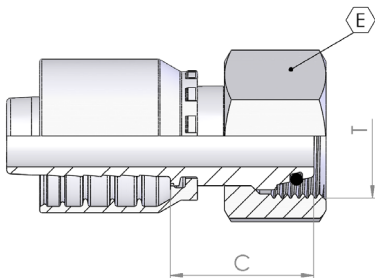
Metric Male 24° - Seat Heavy



Part number	Hose I.D.		Dimension		
	in	mm	dash size	thread	hex
				T	E
0450X12-30	3/4	19	12	M30-2	36
0450X12-36	3/4	19	12	M36-2	36
0450X16-42	1	25.4	16	M42-2	46
0450X20-42	1.1/4	31.8	20	M42-2	46
0450X20-52	1.1/4	31.8	20	M52-2	55
0450X24-52	1.1/2	38.1	24	M52-2	55

0084X

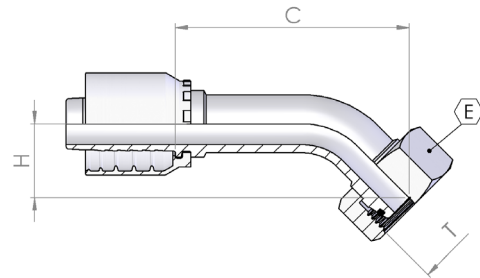
Metric Female 24° - Seat Heavy



Part number	Hose I.D.		Dimension		
	in	mm	dash size	thread	hex
				T	E
0084X12-30	3/4	19	12	M30-2	36
0084X12-36	3/4	19	12	M36-2	46
0084X16-36	1	25.4	16	M36-2	46
0084X16-42	1	25.4	16	M42-2	50
0084X20-52	1.1/4	31.8	20	M52-2	60
0084X24-52	1.1/2	38.1	24	M52-2	60

0284X

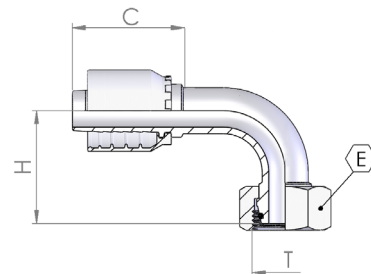
45° Metric Swept Elbow 24° - Seat Heavy



Part number	Hose I.D.		Dimension		
	in	mm	dash size	thread	hex
				T	E
0284X12-30	3/4	19	12	M30-2	36
0284X12-36	3/4	19	12	M36-2	46
0284X16-42	1	25.4	16	M42-2	50
0284X20-52	1.1/4	31.8	20	M52-2	60

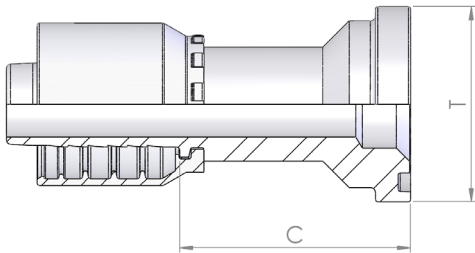
0184X

90° Metric Swept Elbow 24° - Seat Heavy



Part number	Hose I.D.		Dimension		
	in	mm	dash size	thread	hex
				T	E
0184X12-30	3/4	19	12	M30-2	36
0184X12-36	3/4	19	12	M36-2	46
0184X16-42	1	25.4	16	M42-2	50
0184X20-52	1.1/4	31.8	20	M52-2	60
0184X24-52	1.1/2	38.1	24	M52-2	60

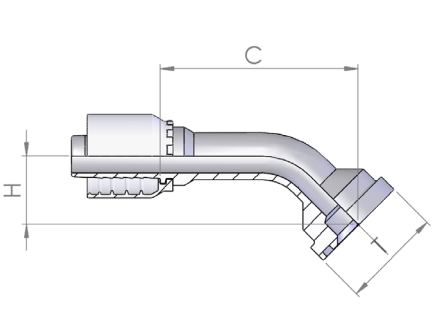
1250X



Straight SAE Flange 3000 PSI

Part number	Hose I.D.		Dimension		
	in	mm	dash size	thread	Flange
				in	mm
1250X12-12	3/4	19	12	3/4	38.1
1250X12-16	3/4	19	12	1	44.5
1250X16-16	1	25.4	16	1	44.5
1250X16-20	1	25.4	16	1.1/4	50.8
1250X20-20	1.1/4	31.8	20	1.1/4	50.8
1250X20-24	1.1/4	31.8	20	1.1/2	60.3
1250X24-24	1.1/2	38.1	24	1.1/2	60.3
1250X24-32	1.1/2	38.1	24	2	71.4
1250X32-32	2	50.8	32	2	71.4

1150X

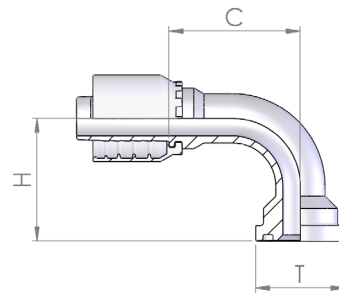


45° SAE Flange 3000 PSI

Part number	Hose I.D.		Dimension		
	in	mm	dash size	thread	Flange
				in	mm
1150X12-12	3/4	19	12	3/4	38.1
1150X12-16	3/4	19	12	1	44.5
1150X16-16	1	25.4	16	1	44.5
1150X16-20	1	25.4	16	1.1/4	50.8
1150X20-20	1.1/4	31.8	20	1.1/4	50.8
1150X20-24	1.1/4	31.8	20	1.1/2	60.3
1150X24-24	1.1/2	38.1	24	1.1/2	60.3
1150X24-32	1.1/2	38.1	24	2	71.4
1150X32-32	2	50.8	32	2	71.4

1050X

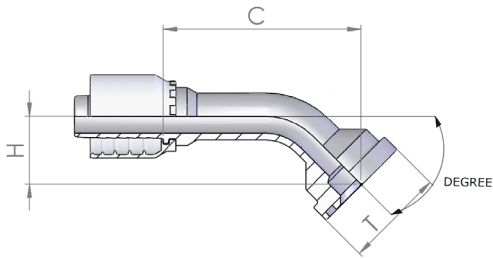
90° SAE Flange 3000 PSI



Part number	Hose I.D.		Dimension		
	in	mm	dash size	thread	Flange
				in	mm
1050X12-12	3/4	19	12	3/4	38.1
1050X12-16	3/4	19	12	1	44.5
1050X16-16	1	25.4	16	1	44.5
1050X16-20	1	25.4	16	1.1/4	50.8
1050X20-16	1.1/4	31.8	20	1	44.5
1050X20-20	1.1/4	31.8	20	1.1/4	50.8
1050X20-24	1.1/4	31.8	20	1.1/2	60.3
1050X24-24	1.1/2	38.1	24	1.1/2	60.3
1050X24-32	1.1/2	38.1	24	2	71.4
1050X32-32	2	50.8	32	2	71.4

1050X

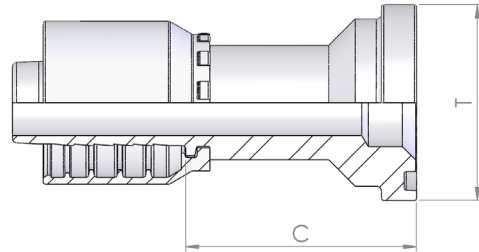
**22.5°/30°/60°/67.5°
SAE Flange 3000 PSI**



Part number	Hose I.D.		Dimension			Degree
	in	mm	dash size	thread	Flange	
					in	
1050X12-12 22.5	3/4	19	12	3/4	38.1	22.5
1050X16-16 22.5	1	25.4	16	1	44.5	22.5
1050X20-20 22.5	1.1/4	31.8	20	1.1/4	50.8	22.5
1050X12-12 30	3/4	19	12	3/4	38.1	30
1050X16-16 30	1	25.4	16	1	44.5	30
1050X20-20 30	1.1/4	31.8	20	1.1/4	50.8	30
1050X24-24 30	1.1/2	38.1	24	1.1/2	60.3	30
1050X12-12 60	3/4	19	12	3/4	38.1	60
1050X16-16 60	1	25.4	16	1	44.5	60
1050X20-20 60	1.1/4	31.8	20	1.1/4	50.8	60
1050-32-32 60	2	50.8	32	2	71.4	60
1050X12-12 67.5	3/4	19	12	3/4	38.1	67.5
1050X16-16 67.5	1	25.4	16	1	44.5	67.5
1050X20-20 67.5	1.1/4	31.8	20	1.1/4	50.8	67.5
1050X24-24 67.5	1.1/2	38.1	24	1.1/2	60.3	67.5
1050X32-32 67.5	2	50.8	32	2	71.4	67.5

1300X

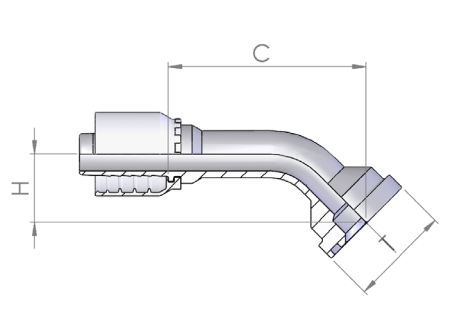
Straight SAE Flange 6000 PSI



Part number	Hose I.D.		Dimension		
	in	mm	dash size	thread	Flange
				in	mm
1300X12-12	3/4	19	12	3/4	41.3
1300X12-16	3/4	19	12	1	47.6
1300X16-16	1	25.4	16	1	47.6
1300X16-20	1	25.4	16	1.1/4	54
1300X20-20	1.1/4	31.8	20	1.1/4	54
1300X20-24	1.1/4	31.8	20	1.1/2	63.5
1300X24-24	1.1/2	38.1	24	1.1/2	63.5
1300X24-32	1.1/2	38.1	24	2	79.4
1300X32-32	2	50.8	32	2	79.4

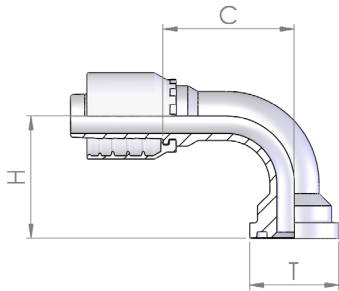
1200X

45° SAE Flange 6000 PSI



Part number	Hose I.D.		Dimension		
	in	mm	dash size	thread	Flange
				in	mm
1200X12-12	3/4	19	12	3/4	41.3
1200X12-16	3/4	19	12	1	47.6
1200X16-16	1	25.4	16	1	47.6
1200X16-20	1	25.4	16	1.1/4	54
1200X20-20	1.1/4	31.8	20	1.1/4	54
1200X20-24	1.1/4	31.8	20	1.1/2	63.5
1200X24-24	1.1/2	38.1	24	1.1/2	63.5
1200X24-32	1.1/2	38.1	24	2	79.4
1200X32-32	2	50.8	32	2	79.4

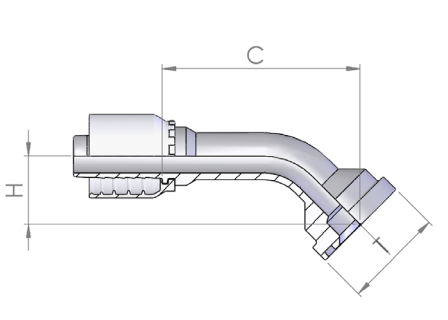
1100X



90° SAE Flange 6000 PSI

Part number	Hose I.D.		Dimension		
	in	mm	dash size	thread	Flange
				in	mm
1100X12-12	3/4	19	12	3/4	41.3
1100X12-16	3/4	19	12	1	47.6
1100X16-16	1	25.4	16	1	47.6
1100X16-20	1	25.4	16	1.1/4	54
1100X20-20	1.1/4	31.8	20	1.1/4	54
1100X20-24	1.1/4	31.8	20	1.1/2	63.5
1100X24-24	1.1/2	38.1	24	1.1/2	63.5
1100X24-32	1.1/2	38.1	24	2	79.4
1100X32-32	2	50.8	32	2	79.4

1100X

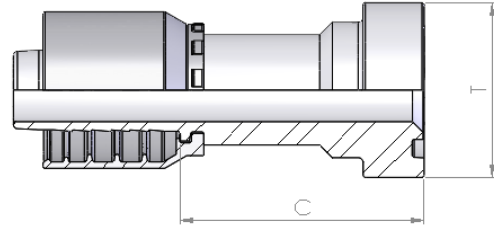


60° SAE Flange 6000 PSI

Part number	Hose I.D.		Dimension			Degree
	in	mm	dash size	thread	Flange	
				in	mm	
1100X12-12 60	3/4	19	12	3/4	38.1	60°
1100X16-16 60	1	25.4	16	1	44.5	60°
1100X20-20 60	1.1/4	31.8	20	1.1/4	50.8	60°
1100X24-24 60	1.1/2	38.1	24	1.1/2	60.3	60°
1100X32-32 60	2	50.8	32	2	79.4	60°

130SX

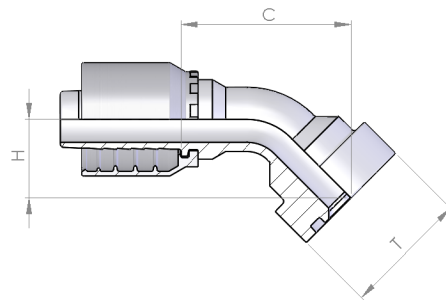
Straight 'CAT' Flange



Part number	Hose I.D.		Dimension		
	in	mm	dash size	thread	Flange
				in	mm
130SX12-12	3/4	19	12	3/4	41
130SX12-16	3/4	19	12	1	48
130SX16-16	1	25.4	16	1	48
130SX16-20	1	25.4	16	1.1/4	54
130SX20-20	1.1/4	31.8	20	1.1/4	54
130SX20-24	1.1/4	31.8	20	1.1/2	63.5
130SX24-24	1.1/2	38.1	24	1.1/2	63.5
130SX32-32	2	50.8	32	2	79.4

120SX

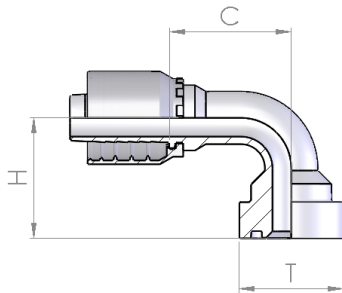
45° 'CAT' Flange



Part number	Hose I.D.		Dimension		
	in	mm	dash size	thread	Flange
				in	mm
120SX12-12	3/4	19	12	3/4	41
120SX12-16	3/4	19	12	1	48
120SX16-16	1	25.4	16	1	48
120SX16-20	1	25.4	16	1.1/4	54
120SX20-20	1.1/4	31.8	20	1.1/4	54
120SX20-24	1.1/4	31.8	20	1.1/2	63.5
120SX24-24	1.1/2	38.1	24	1.1/2	63.5
120SX32-32	2	50.8	32	2	79.4

110SX

90° 'CAT' Flange



Part number	Hose I.D.		Dimension		
	in	mm	dash size	thread	Flange
				in	mm
110SX12-12	3/4	19	12	3/4	41
110SX12-16	3/4	19	12	1	48
110SX16-16	1	25.4	16	1	48
110SX16-20	1	25.4	16	1.1/4	54
110SX20-20	1.1/4	31.8	20	1.1/4	54
110SX20-24	1.1/4	31.8	20	1.1/2	63.5
110SX24-24	1.1/2	38.1	24	1.1/2	63.5
110SX24-32	1.1/2	38.1	24	2	79.4
110SX32-32	2	50.8	32	2	79.4

Analytical Index

037GG.....	9	0750G.....	37
0041G.....	29	0850G.....	10
0050G.....	26	0850X.....	58
0050X.....	66	0900X.....	59
0051G.....	26	0910G.....	12
0060G.....	31	0911G.....	11
0084G.....	47	0930G.....	21
0084X.....	70	0940G.....	22
0085G.....	43	0940X.....	63
0085G.....	43	0950G.....	14
0085X.....	68	0950X.....	60
0085X.....	68	0951G.....	13
1105X.....	78	0980G.....	21
1205X.....	77	0990G.....	23
1305X.....	77	1000G.....	13
0141G.....	30	1000X.....	59
0150G.....	28	1001G.....	12
0150X.....	67	1040G.....	22
0151G.....	28	1050X.....	73
0184G.....	49	1050X.....	74
0184X.....	71	1060G.....	51
0185G.....	45	1060G.....	52
0185G.....	45	1100X.....	76
0185X.....	69	1100X.....	76
0241G.....	29	1150X.....	72
0250G.....	27	1160G.....	50
0250X.....	66	1200X.....	75
0251G.....	27	1250X.....	72
0284G.....	48	1260G.....	50
0284X.....	71	1300X.....	75
0285G.....	44	1350G.....	40
0285G.....	44	1400G.....	32
0285X.....	69	1600.....	33
0350G.....	25	1600-00.....	33
0350X.....	65	1650.....	41
0360G.....	24	2321G.....	30
0360X.....	64	2971G.....	14
0370G.....	8	D050G.....	53
0370X.....	58	FK50G.....	34
0385G.....	18	IF00G.....	19
0385X.....	62	IF45G.....	20
0390G.....	18	IF90G.....	20
0395G.....	19	K05BG.....	23
0450G.....	46	K05BX.....	63
0450X.....	70	N051G.....	9
0500G.....	42	S05TG.....	15
0500X.....	67	S05TX.....	61
0550G.....	35	S150G.....	17
0650G.....	38	S150X.....	62
0650G.....	39	S250G.....	16
0750G.....	36	S250X.....	61
		S350G.....	15
		S350X.....	60

Type Index

22.5°/30°/60°/67.5°	74	JIC 90° Compact Elbow 74° Cone - Crimped Nut	14
22.5°/30°/60°/67.5° SAE	52	JIC 90° Swept Elbow 74° Cone	60
45° 'CAT' Flange	77	JIC 90° Swept Elbow 74° Cone - Rolled Nut	12
45° JIS Swept Elbow (Komatsu) - Welded	22	JIC 90° Swept Elbow 74° Cone - Rolled Nut	13
45° Male Inverted Flare Swivel.....	20	JIC 90° Swept Elbow 74° Cone - Thrust Wire Nut	14
45° Metric Standpipe	36	JIC Female 74° Cone.....	59
45° Metric Standpipe (Welded).....	37	JIC Female 74° Cone - Rolled Nut	11
45° Metric Swept Elbow 24° - Seat Heavy	48	JIC Female 74° Cone - Thrust Wire Nut	12
45° Metric Swept Elbow 24° - Seat Heavy	71	JIC Male 74° Cone	10
45° Metric Swept Elbow 24° - Seat Light	44	JIC Male 74° Cone	58
45° Metric Swept Elbow 24° - Seat Light	69	JIS Female 60° Cone (Komatsu)	22
45° Metric Swept Elbow 24° - Seat Light (R. nut)	44	JIS Female 60° Cone (Komatsu)	63
45° SAE Flange 3000 PSI.....	50	JIS Female 60° Cone (Toyota)	21
45° SAE Flange 3000 PSI.....	72	K' Female.....	34
45° SAE Flange 6000 PSI.....	75	Kobelco Male.....	56
60° SAE Flange 6000 PSI	76	Kobelco Male.....	63
90° 'CAT' Flange	78	Kobelco Male.....	23
90° JIS Swept Elbow (Komatsu) - Welded.....	23	Metric Banjo.....	40
90° JIS Swept Elbow (Toyota) - welded.....	21	Metric Female 24° -	68
90° Male Inverted Flare Swivel	20	Metric Female 24° -	70
90° Metric Standpipe	38	Metric Female 24° - Seat Heavy.....	47
90° Metric Standpipe (welded).....	39	Metric Female 24° - Seat Light.....	43
90° Metric Swept Elbow 24° - Seat Heavy	49	Metric Female 24° Seat Light.....	68
90° Metric Swept Elbow 24° - Seat Heavy	71	Metric Female 24° - Seat Light (R. nut).....	43
90° Metric Swept Elbow 24° - Seat Light	45	Metric Male 24° - Seat Heavy	46
90° Metric Swept Elbow 24° - Seat Light	69	Metric Male 24° - Seat Heavy	70
90° Metric Swept Elbow 24° - Seat Light (R. nut)	45	Metric Male 24° - Seat Light.....	42
90° SAE Flange 3000 PSI	51	Metric Male 24° - Seat Light.....	67
90° SAE Flange 3000 PSI	73	Metric perfored bolt.....	41
90° SAE Flange 6000 PSI	76	Metric Standpipe.....	35
90° Swivel Male O'ring	19	NPSM Female 60° Cone Rolled Nut.....	9
BSP 45° Swept Elbow 60° Cone	66	NPTF Male 60° Cone.....	8
BSP 45° Swept Elbow 60° Cone - Rolled nut.....	27	NPTF Male 60° Cone.....	58
BSP 45° Swept Elbow 60° Cone - Thrust Wire Nut... ..	27	NPTF Male Parallel 60° Cone - Rotating.....	9
BSP 90° Compact Elbow 60° Cone - Rolled nut.....	30	ORFS 45° Swept Elbow.....	16
BSP 90° Swept elbow 60° Cone	67	ORFS 45° Swept Elbow.....	61
BSP 90° Swept elbow 60° Cone - Rolled Nut	28	ORFS 90° Swept Elbow.....	17
BSP 90° Swept Elbow 60° Cone - Thrust Wire Nut... ..	28	ORFS 90° Swept Elbow.....	62
BSP Banjo.....	32	ORFS Female Back Hexagon.....	15
BSP Female 60° Cone -	66	ORFS Female Back Hexagon.....	61
BSP Female 60° Cone - Rolled Nut	26	ORFS Male	15
BSP Female 60° Cone - Thrust Wire Nut.....	26	ORFS Male	60
BSP Female Flat Seal	31	SAE Flange 3000 PSI	74
BSP Male Parallel 60° Cone	25	SAE Male O'R - Flat Seat	18
BSP Male Parallel 60° Cone	65	SAE Male O'R Flat Seat	62
BSP O'Ring 45° Swept Elbow 60° Cone - Rolled nut	29	Seat Heavy.....	70
BSP O'Ring 90° Swept elbow 60° Cone- Rolled Nut.....	30	Seat Light (R. nut)	68
BSP O'Ring Female 60° Cone- Rolled Nut.....	29	Straight 'CAT' Flange	77
BSP perfored bolt.....	33	Straight Male Inverted Flare Swivel	19
BSP Taper Male 60° Cone.....	24	Straight SAE Flange 3000 PSI	50
BSP Taper Male 60° Cone.....	64	Straight SAE Flange 3000 PSI	72
Double BSP perfored bolt.....	33	Straight SAE Flange 6000 PSI	75
Flange 3000 PSI.....	52	Swivel Male O'Ring	18
Hose Junction	53	Thrust Wire	66
JIC 45° Swept Elbow 74° Cone	59		
JIC 45° Swept Elbow 74° Cone - Slipe on nut.....	13		

